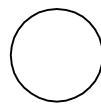
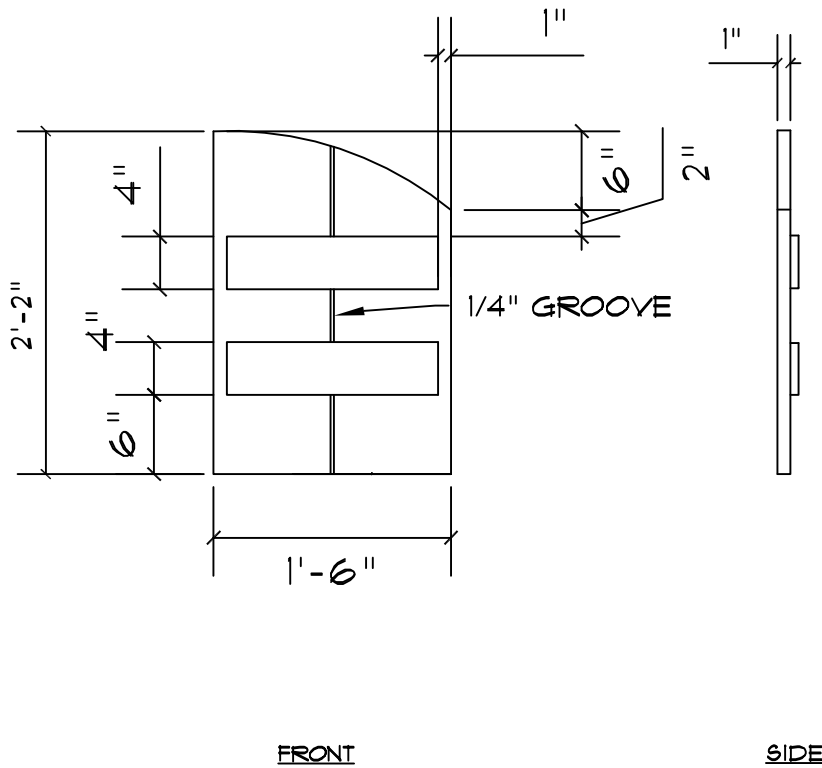


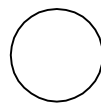
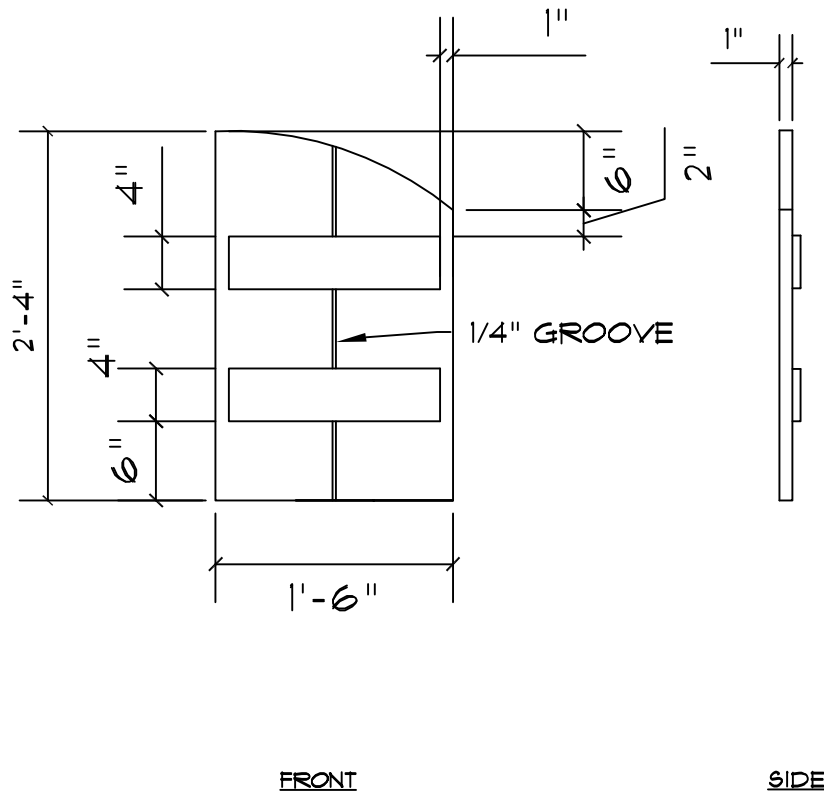
RSE2PG1824

3/4" = 1'-0"



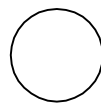
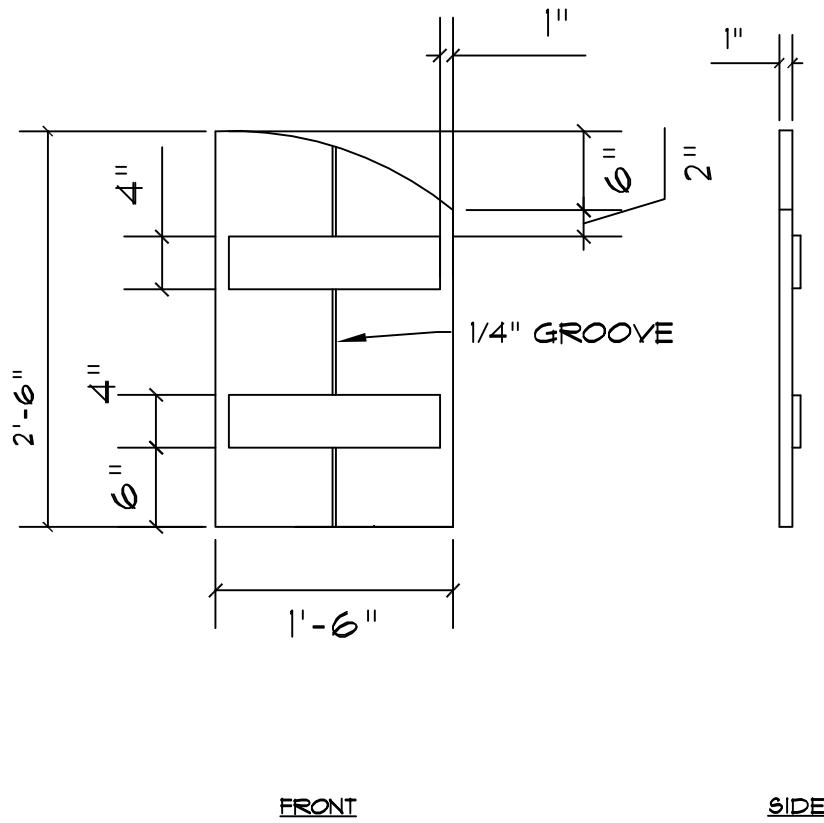
RSE2PG1826

3/4" = 1'-0"



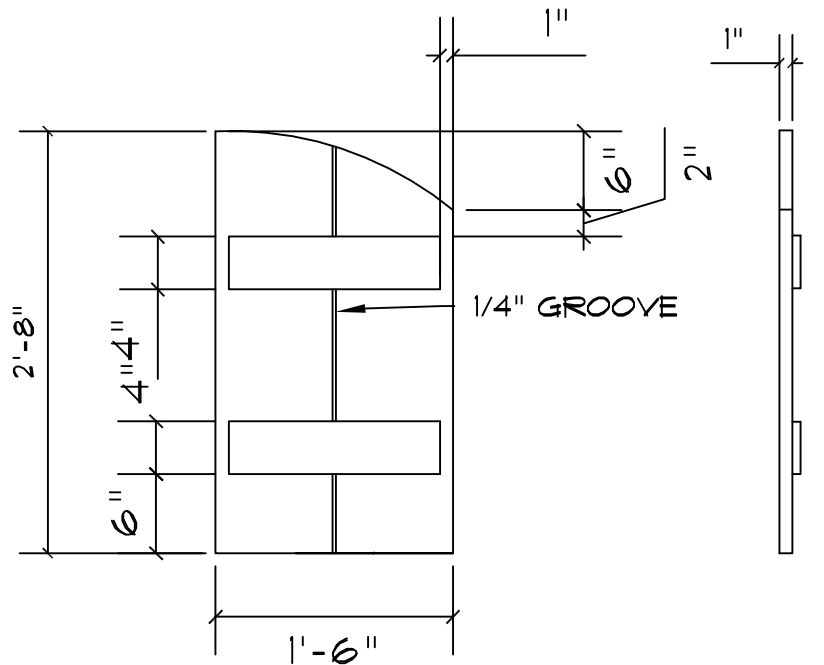
RSE2PG1828

3/4" = 1'-0"



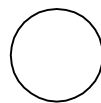
RSE2PG1830

3/4" = 1'-0"



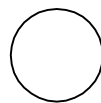
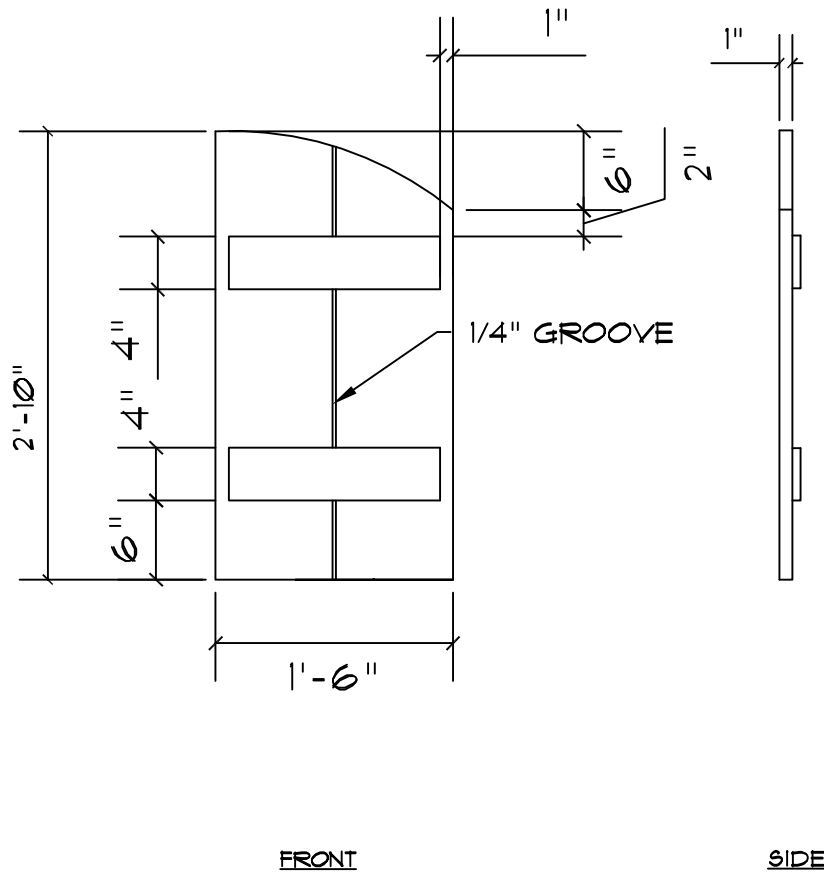
FRONT

SIDE



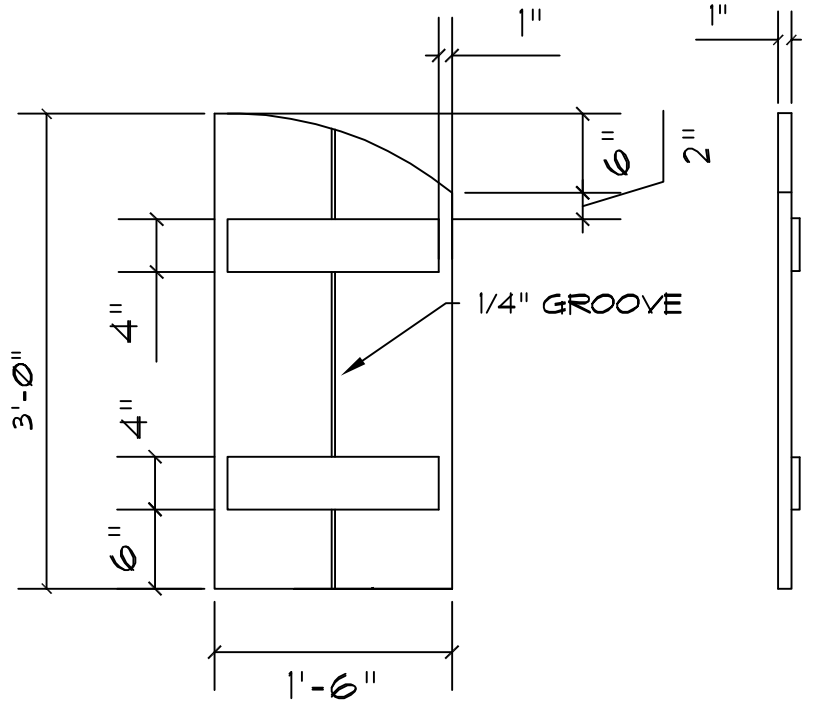
RSE2PG1832

3/4" = 1'-0"



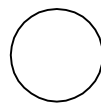
RSE2PG1834

3/4" = 1'-0"



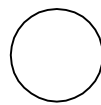
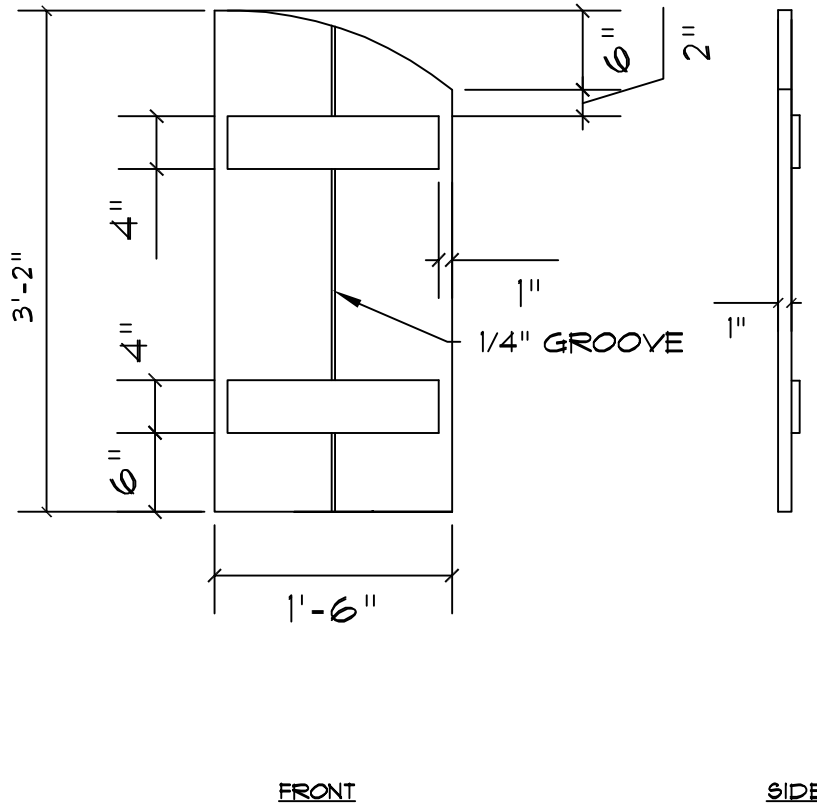
FRONT

SIDE



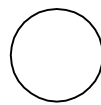
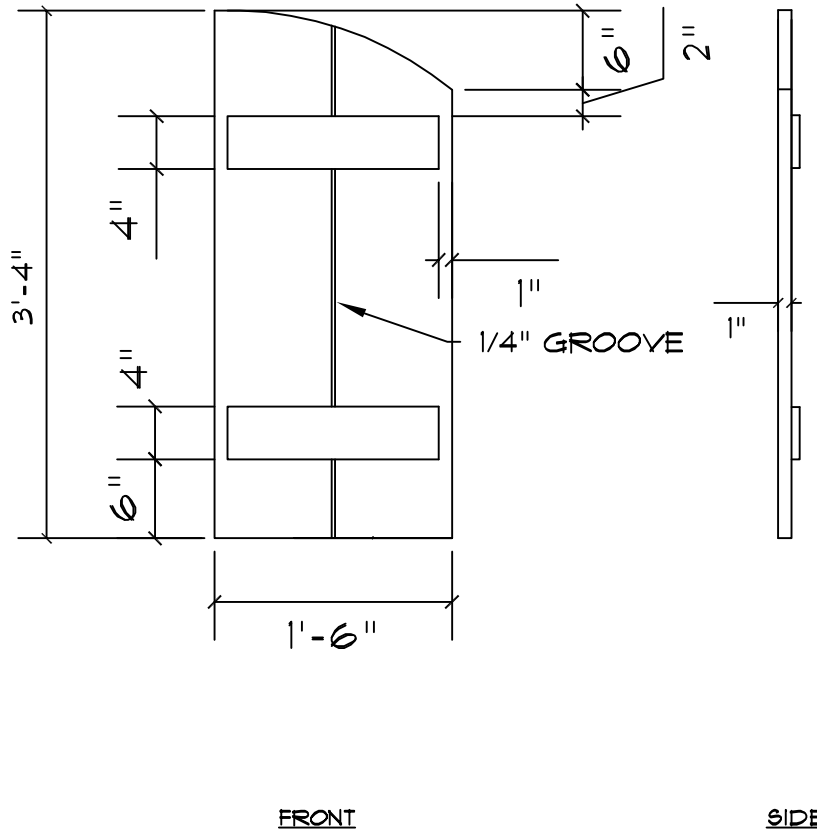
RSE2PG1836

3/4" = 1'-0"



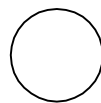
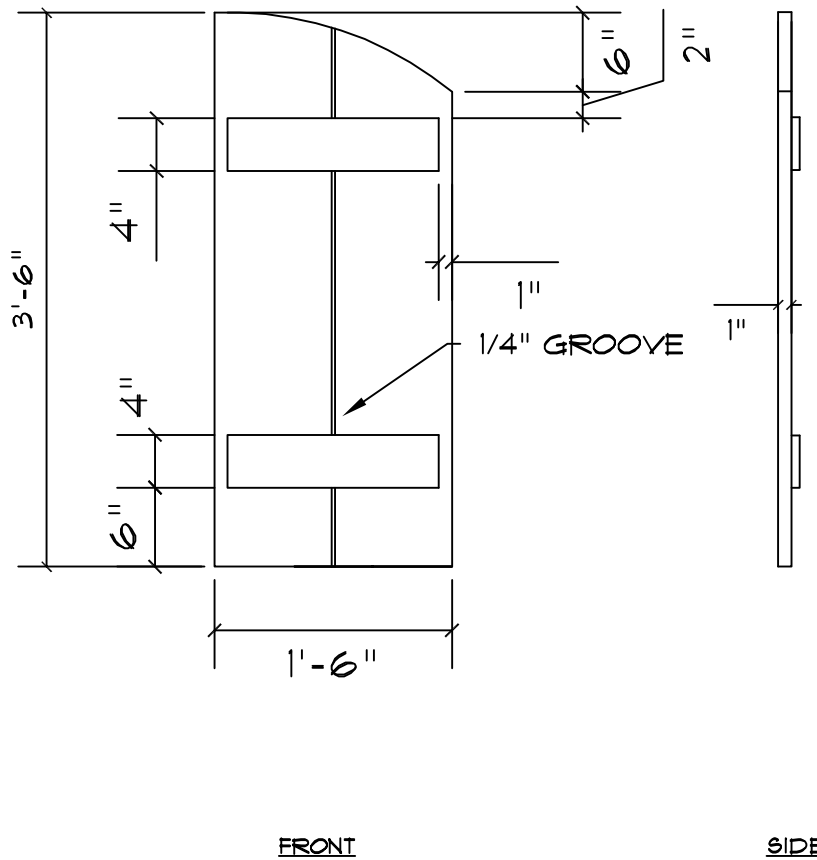
RSE2PG1838

3/4" = 1'-0"



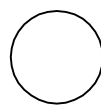
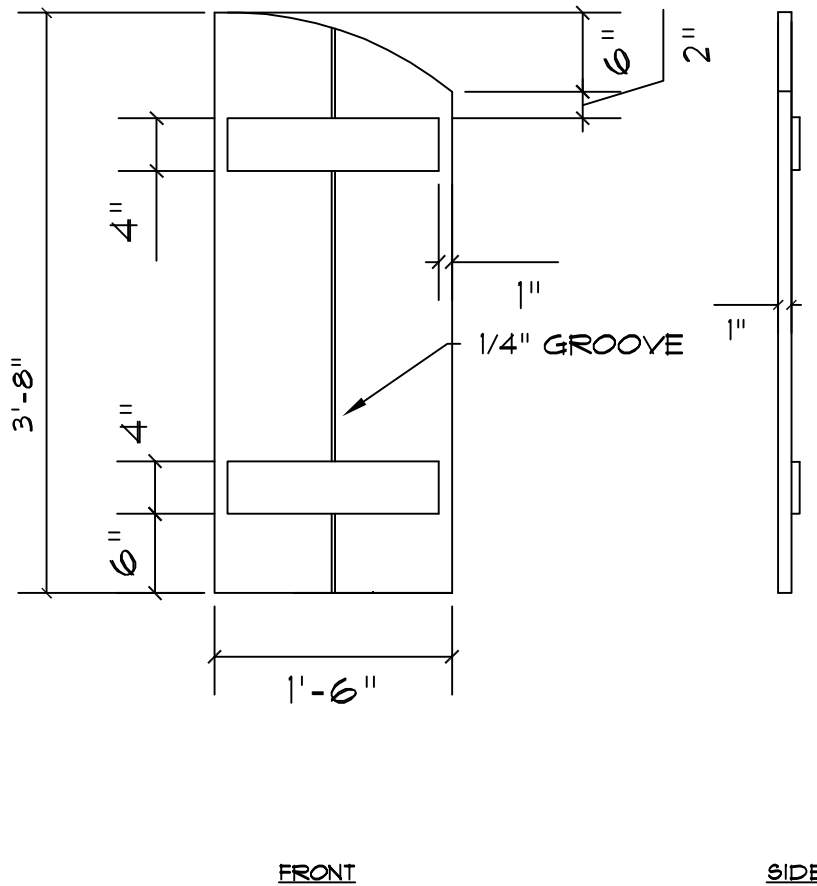
RSE2PG1840

3/4" = 1'-0"



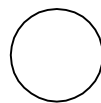
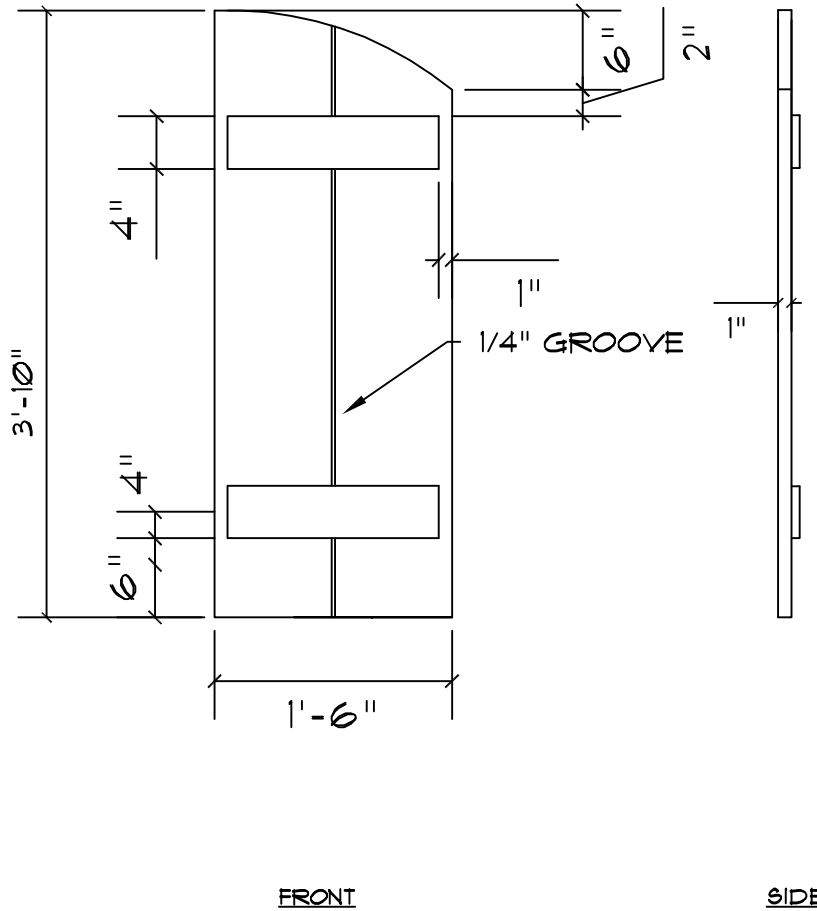
RSE2PG1842

3/4" = 1'-0"



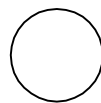
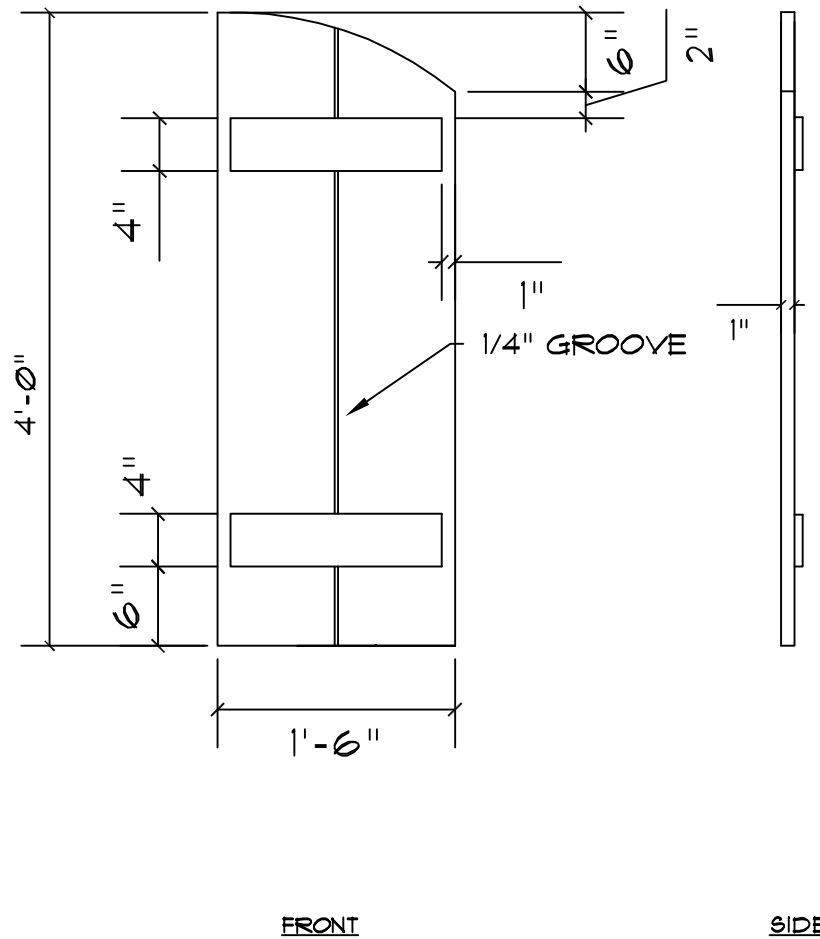
RSE2PG1844

3/4" = 1'-0"



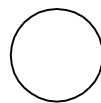
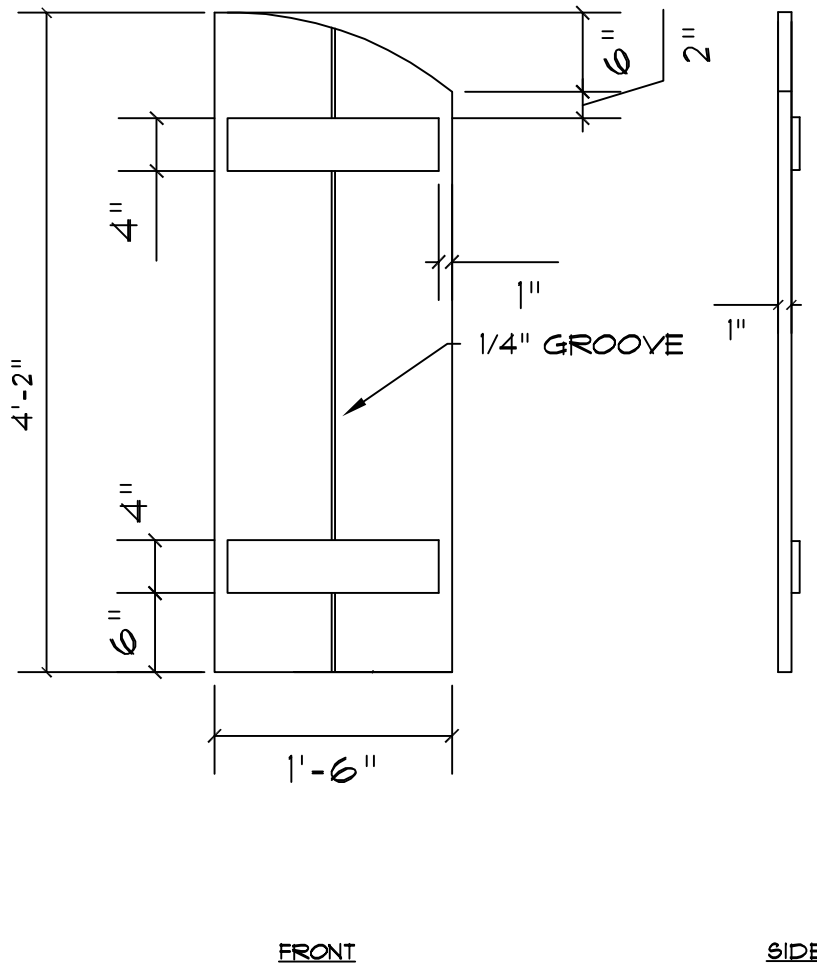
RSE2PG1846

3/4" = 1'-0"



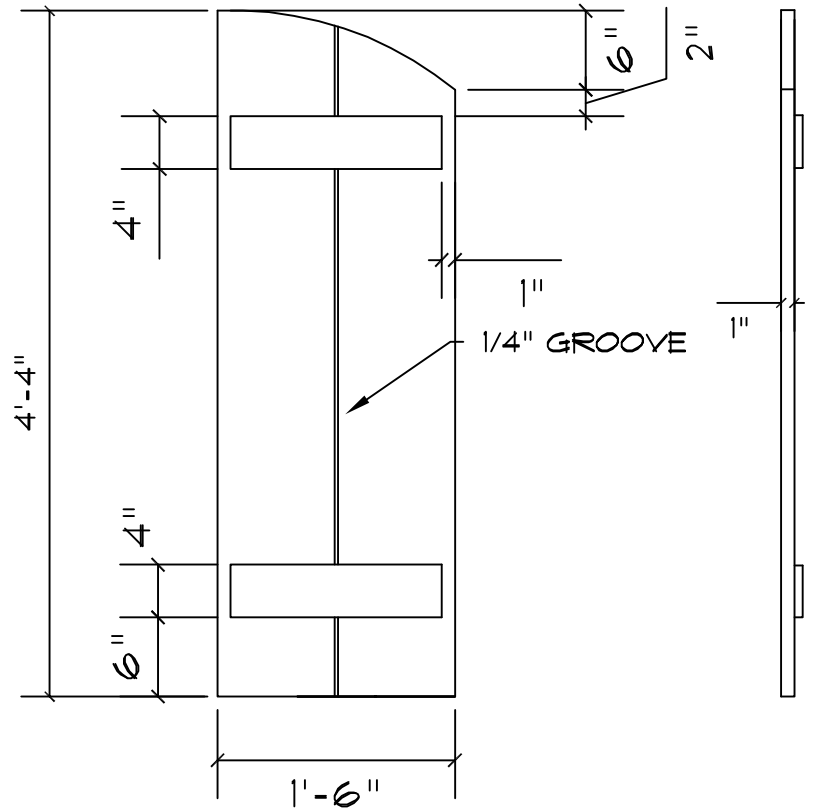
RSE2PG1848

3/4" = 1'-0"



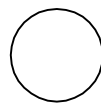
RSE2PG1850

3/4" = 1'-0"



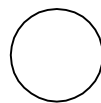
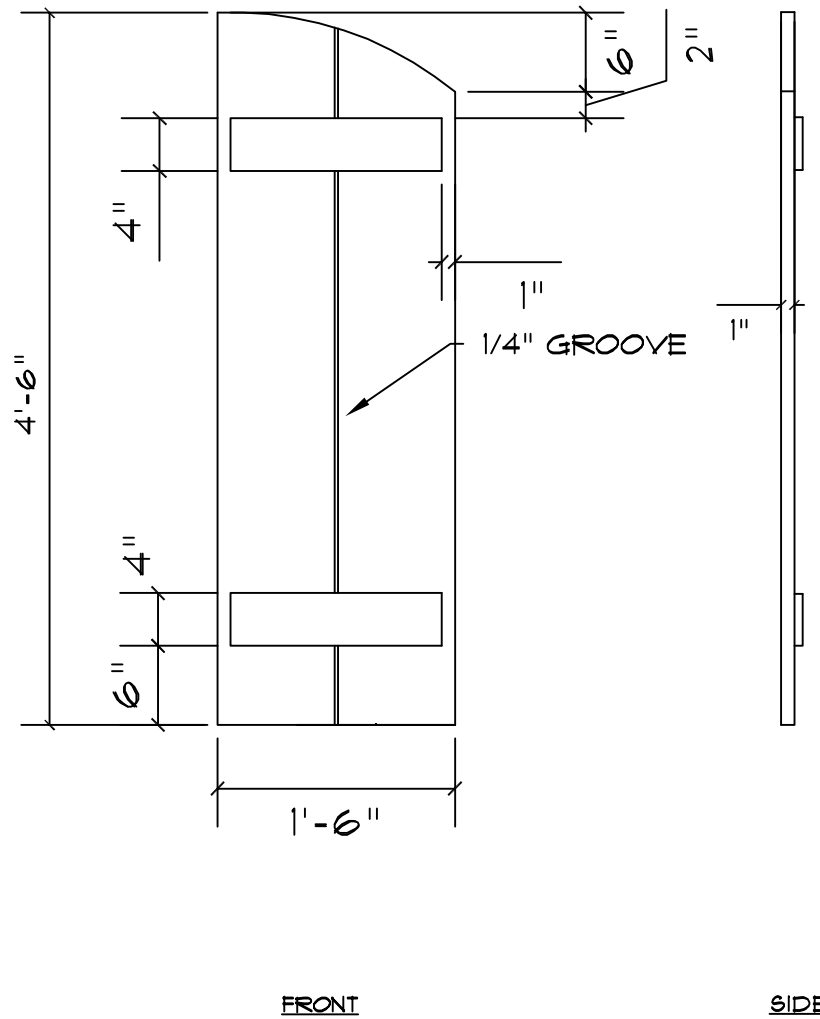
FRONT

SIDE



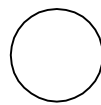
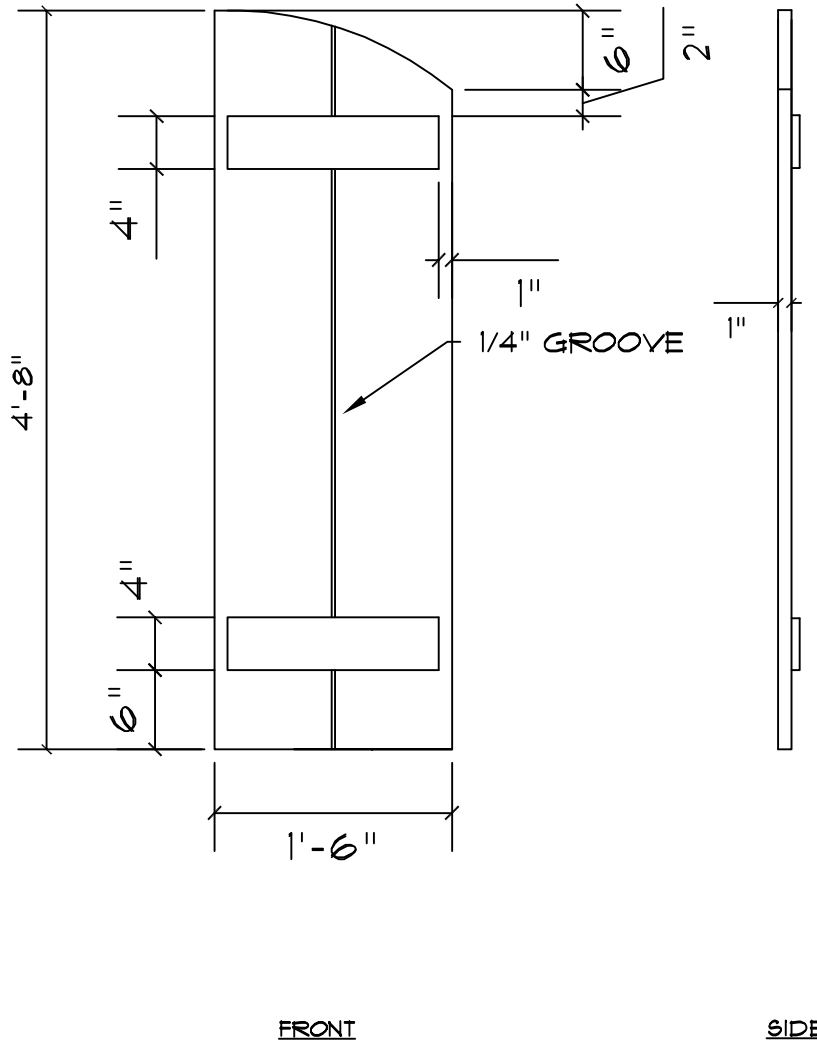
RSE2PG1852

3/4" = 1'-0"



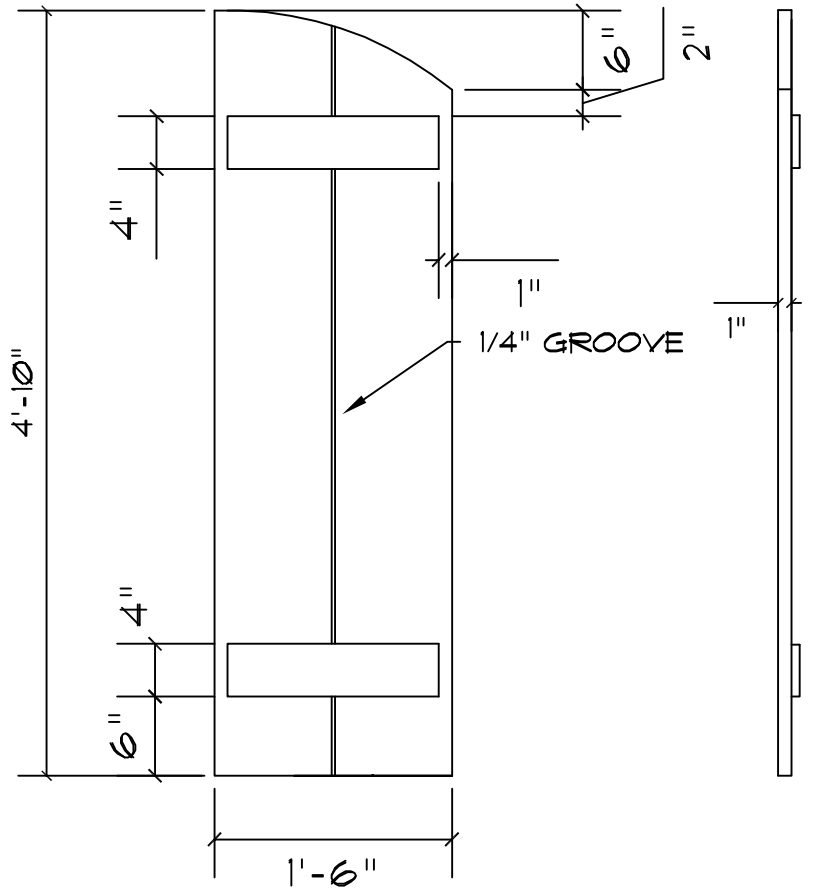
RSE2PG1854

3/4" = 1'-0"



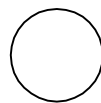
RSE2PG1856

3/4" = 1'-0"



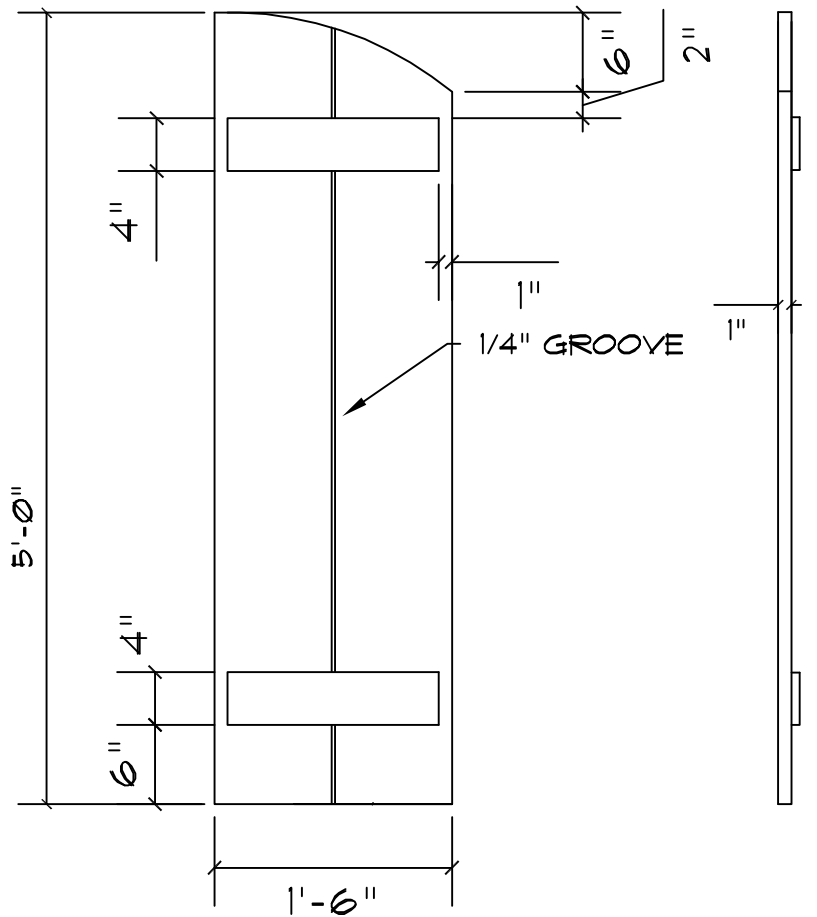
FRONT

SIDE



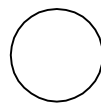
RSE2PG1858

3/4" = 1'-0"



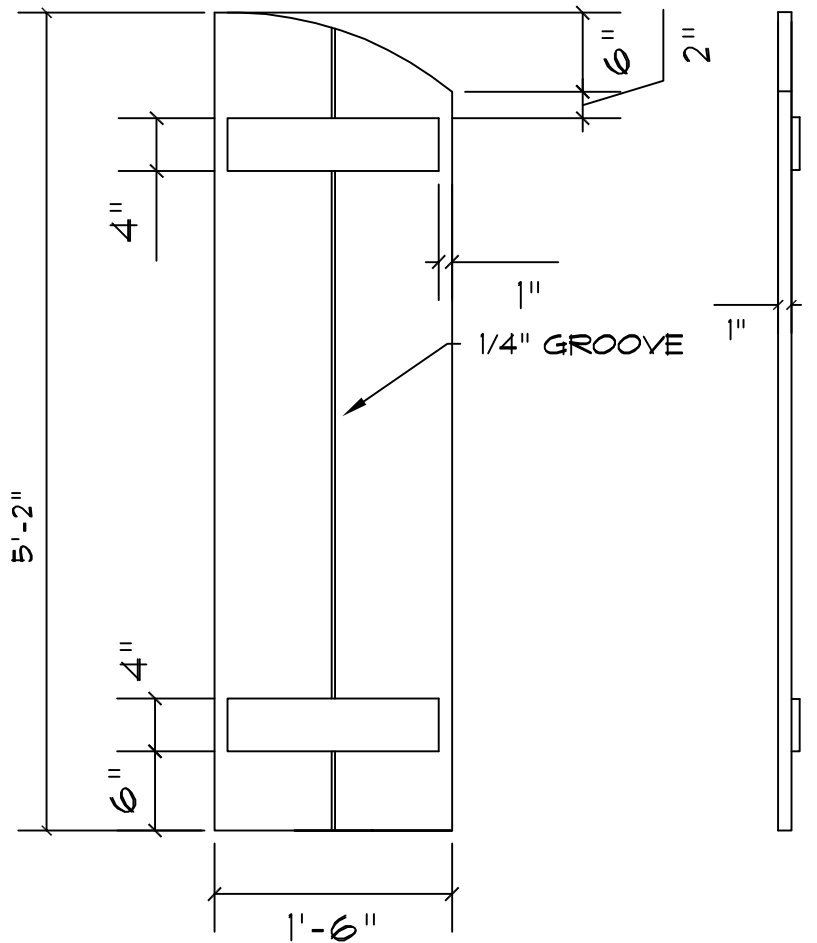
FRONT

SIDE



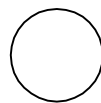
RSE2PG1860

3/4" = 1'-0"



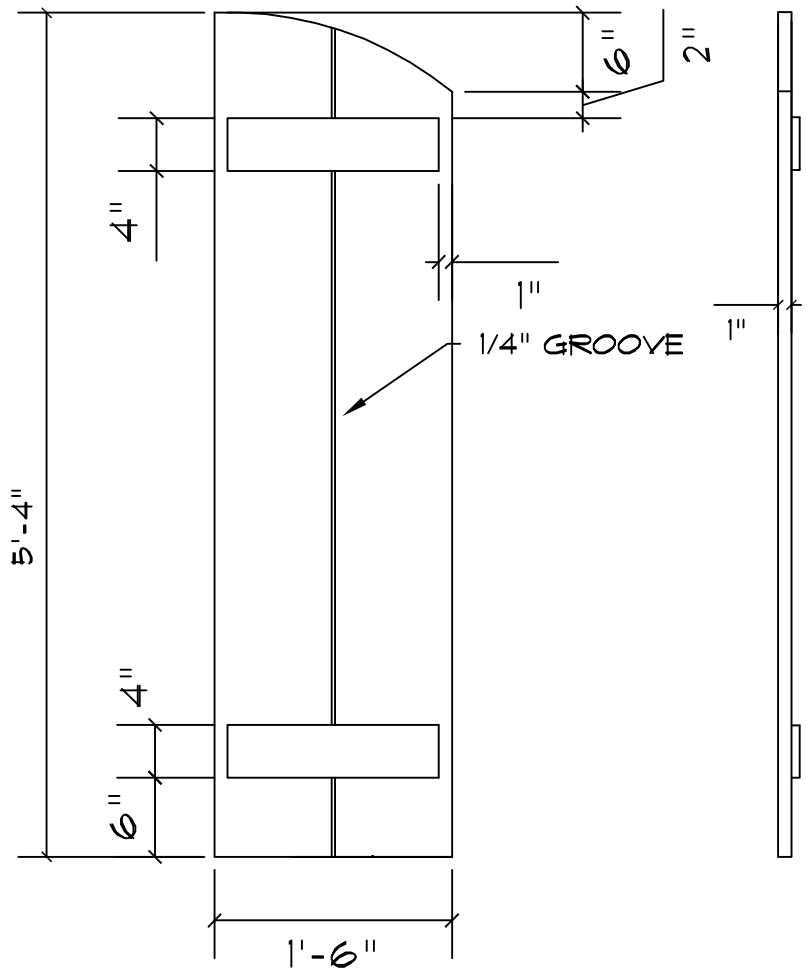
FRONT

SIDE



RSE2PG1862

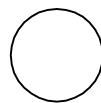
3/4" = 1'-0"



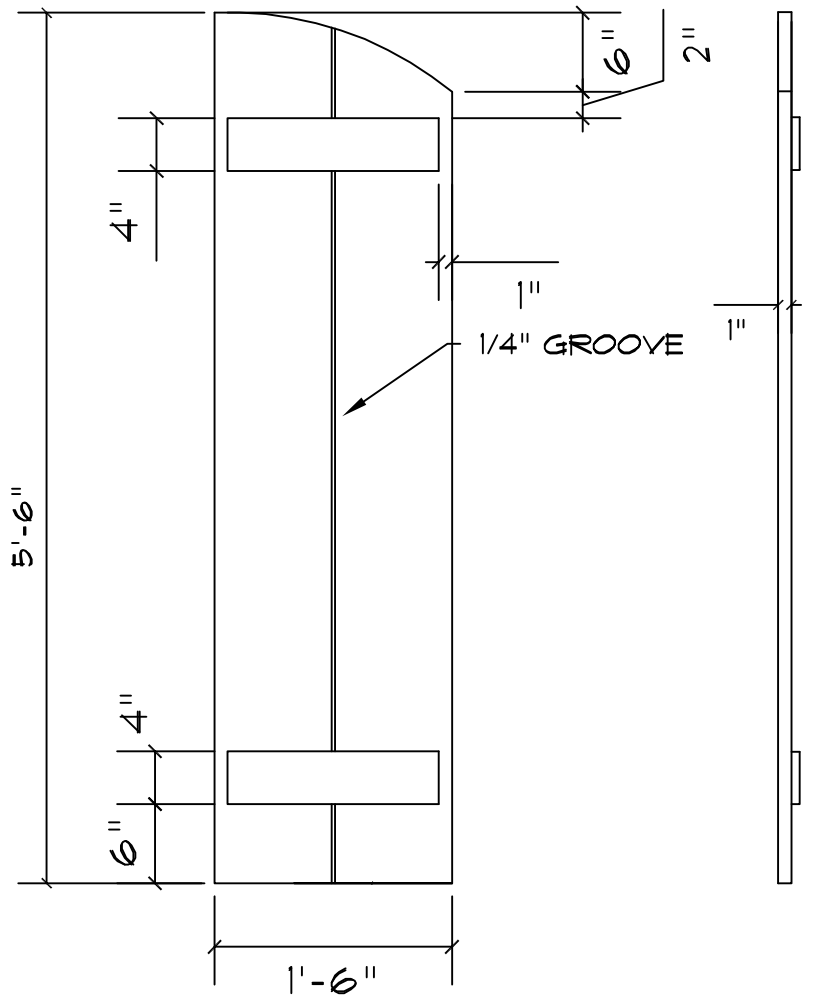
FRONT

SIDE

RSE2PG1864



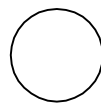
3/4" = 1'-0"



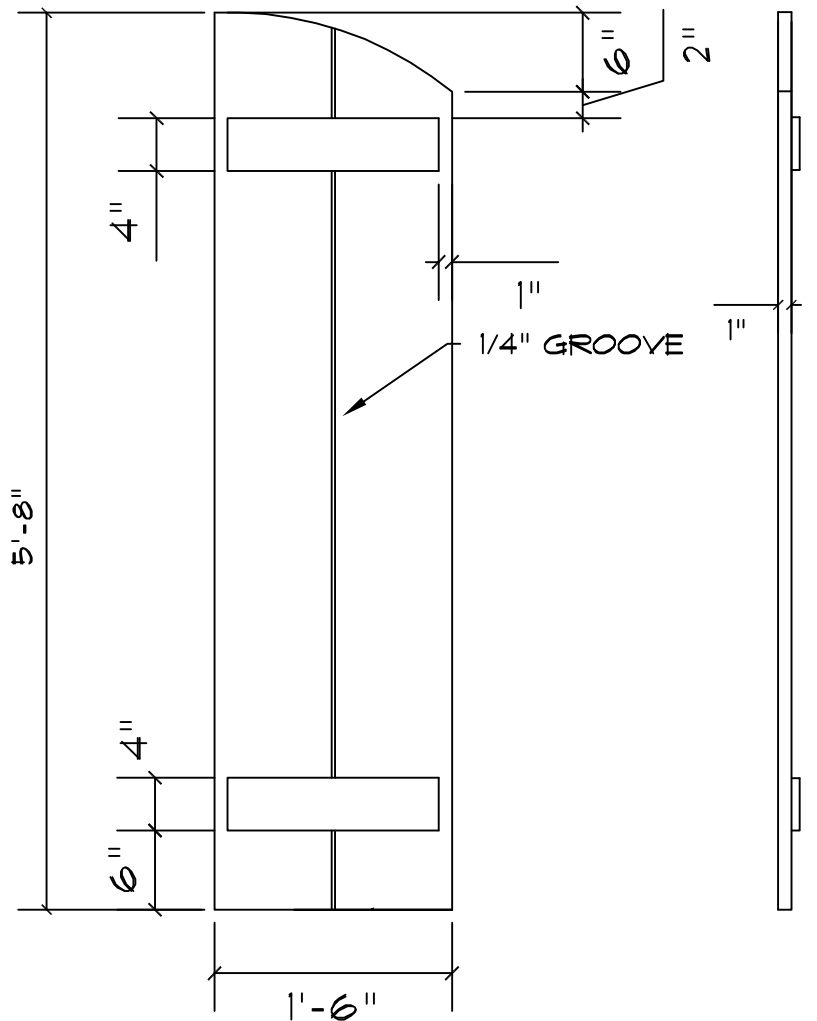
FRONT

SIDE

RSE2PG1866



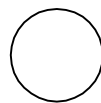
3/4" = 1'-0"



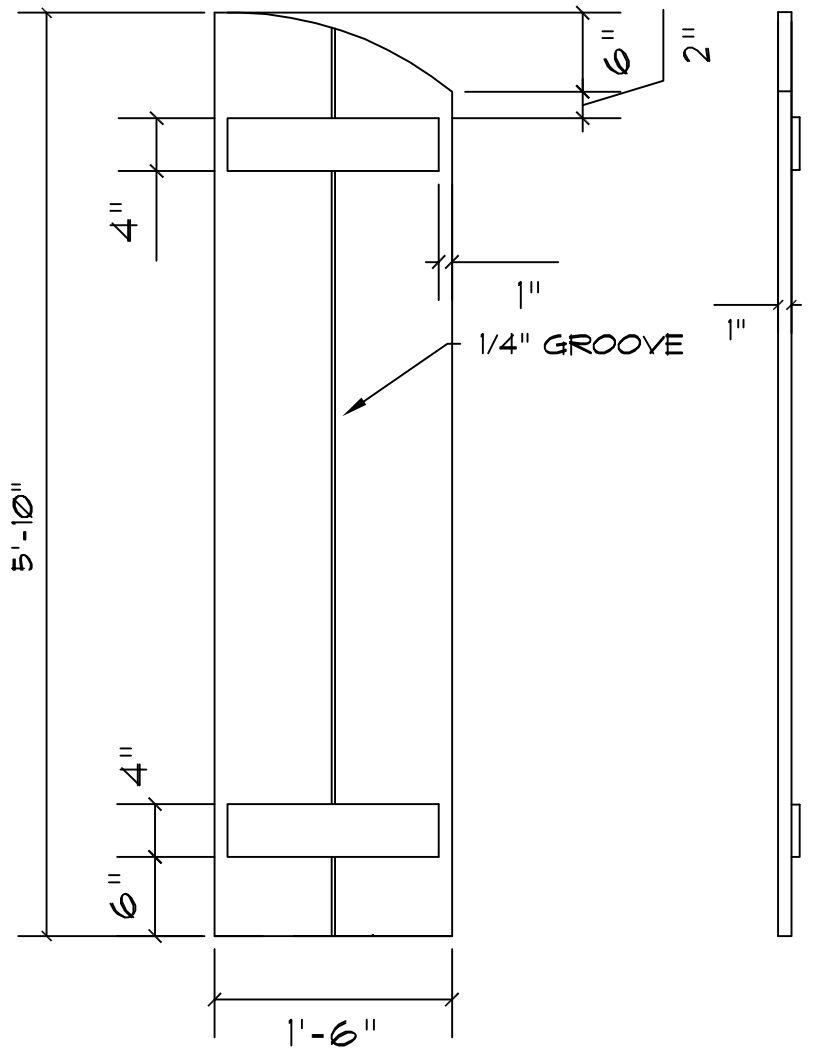
FRONT

SIDE

RSE2PG1868



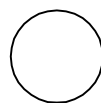
3/4" = 1'-0"



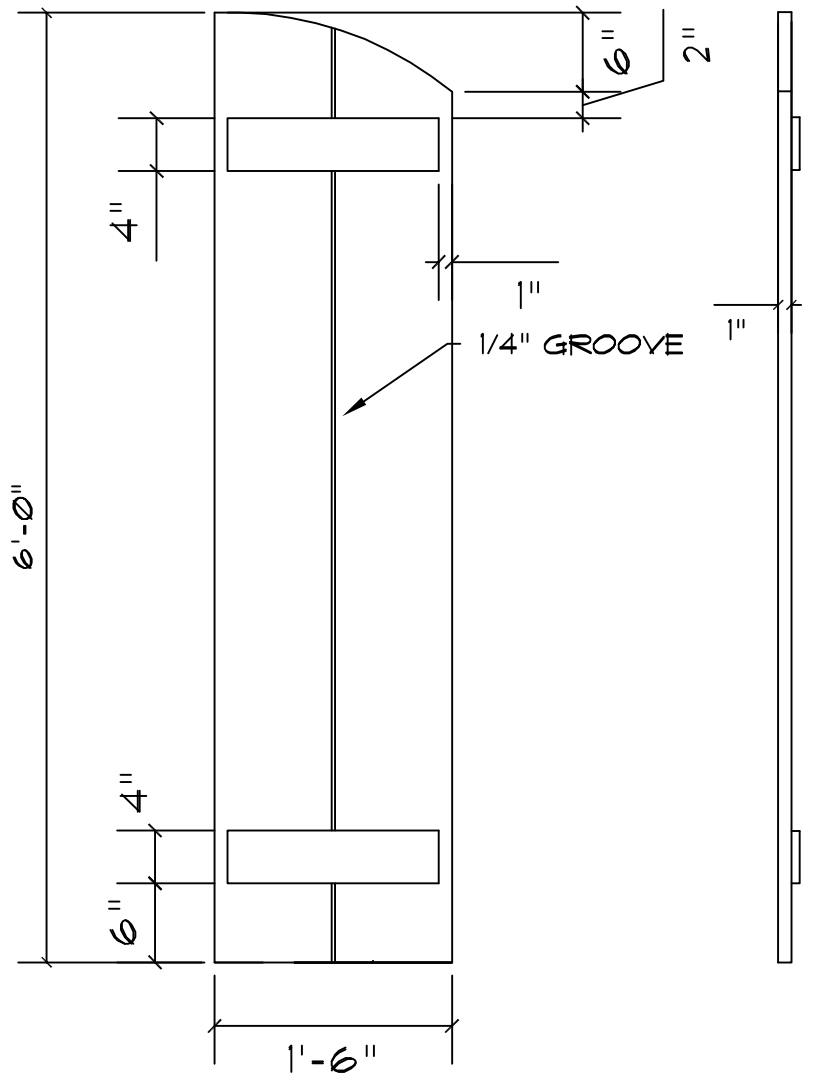
FRONT

SIDE

RSE2PG1870



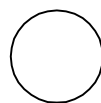
3/4" = 1'-0"



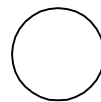
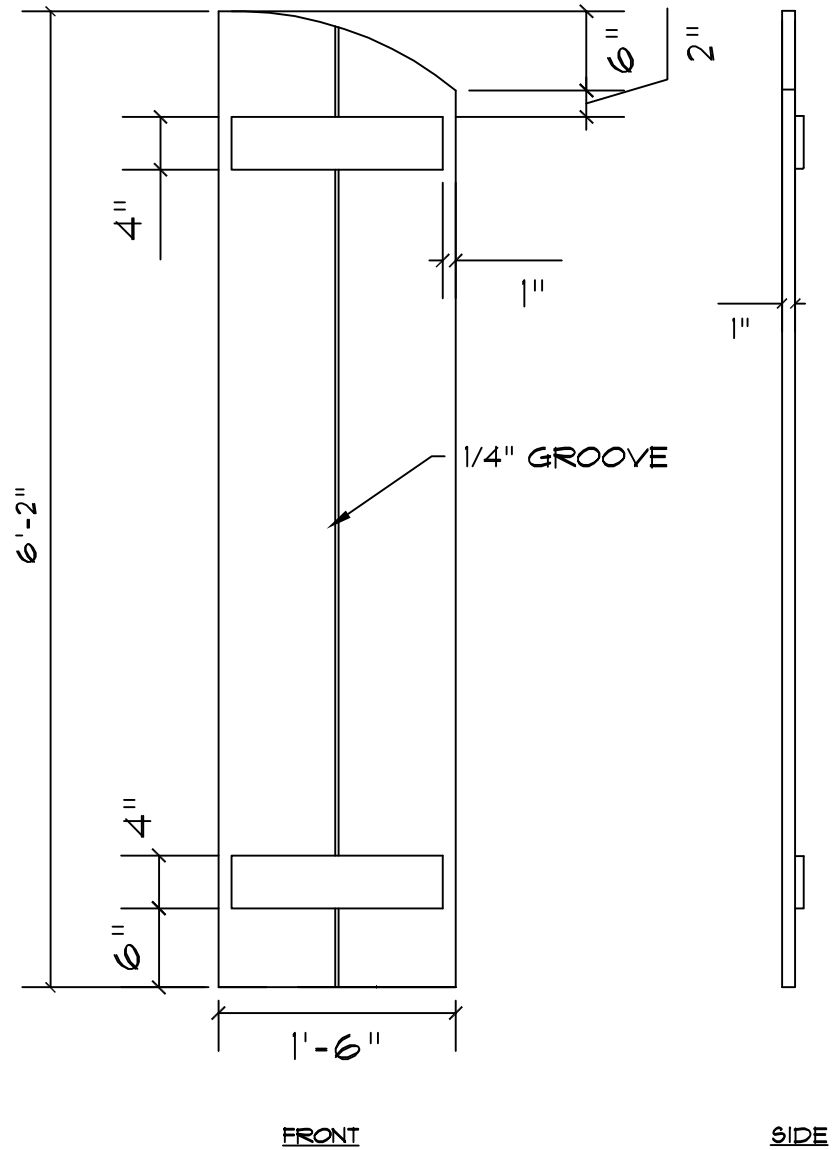
FRONT

SIDE

RSE2PG1872

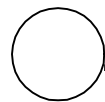
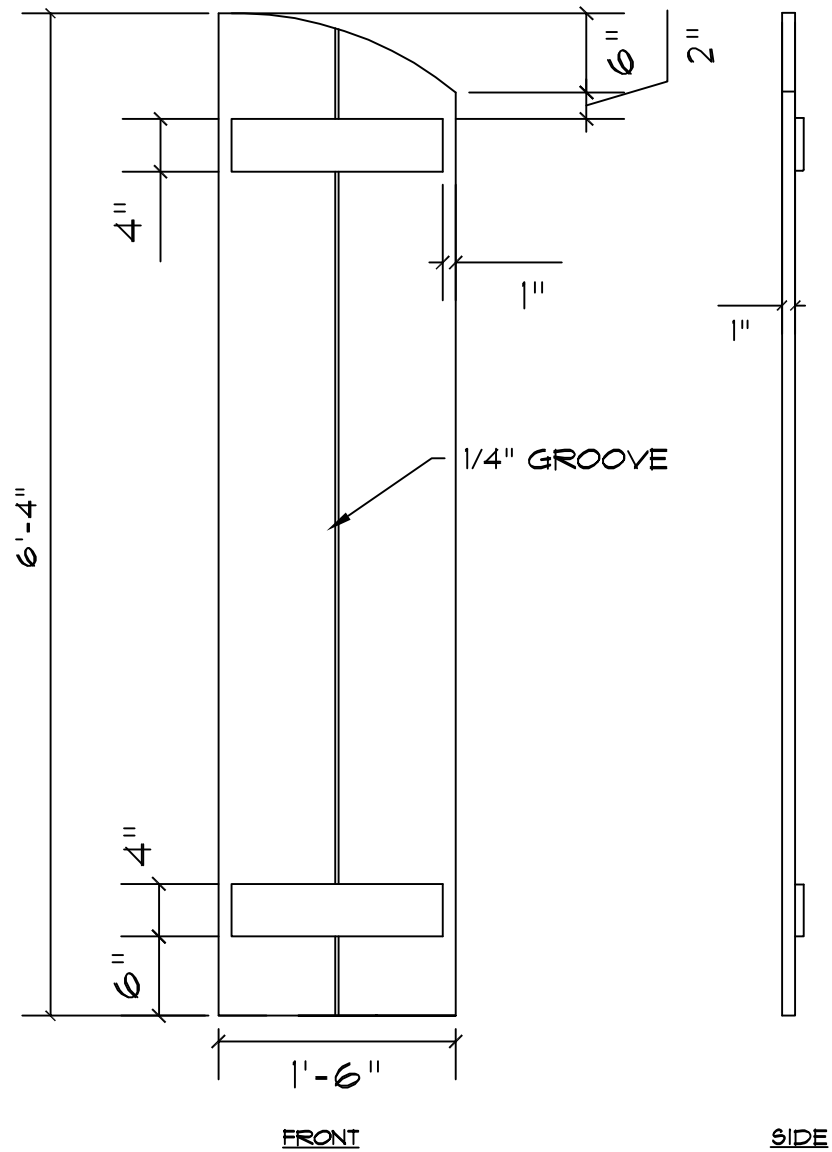


3/4" = 1'-0"



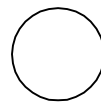
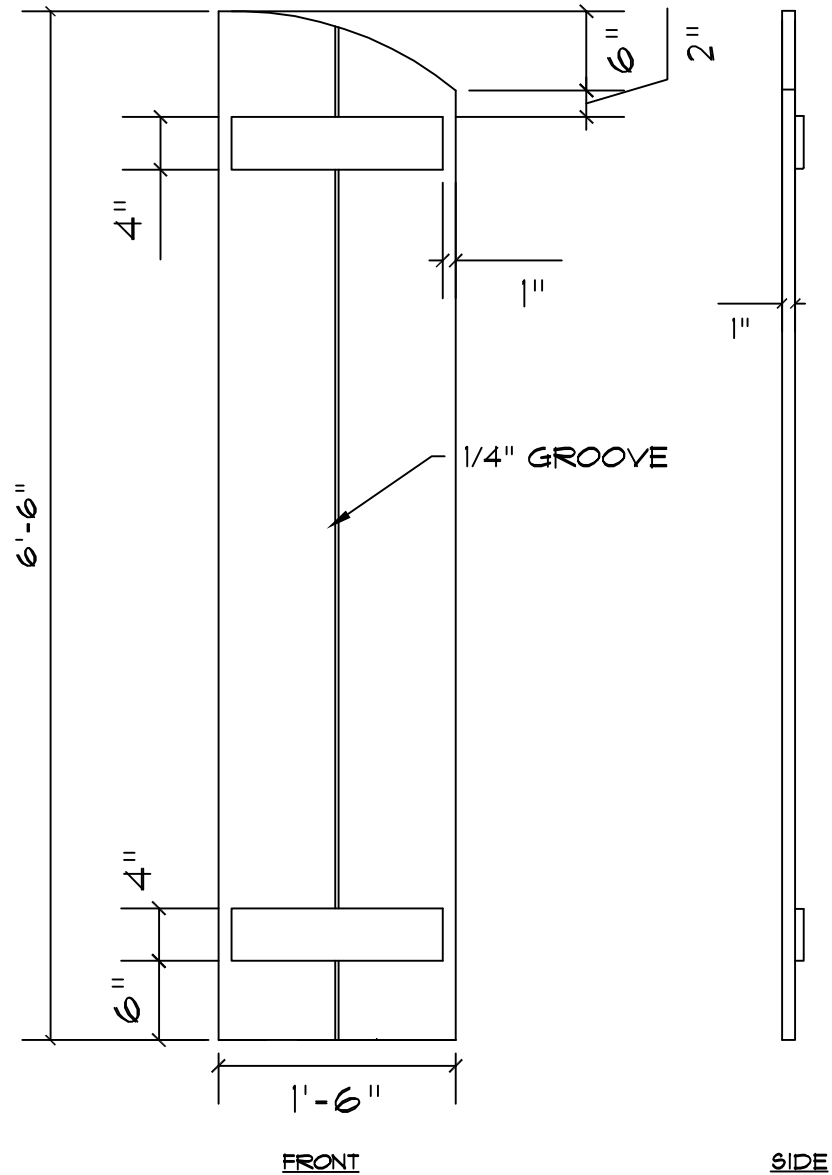
RSE2PG1874

3/4" = 1'-0"



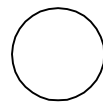
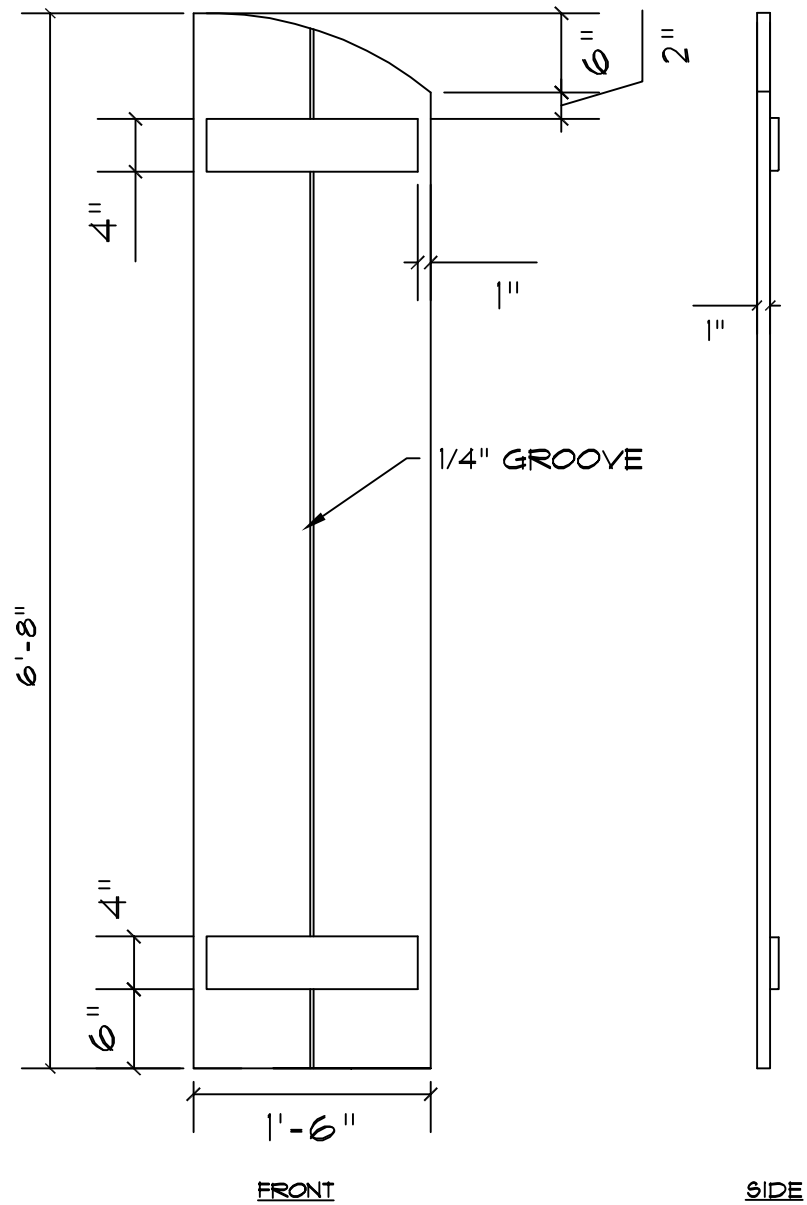
RSE2PG1876

3/4" = 1'-0"



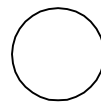
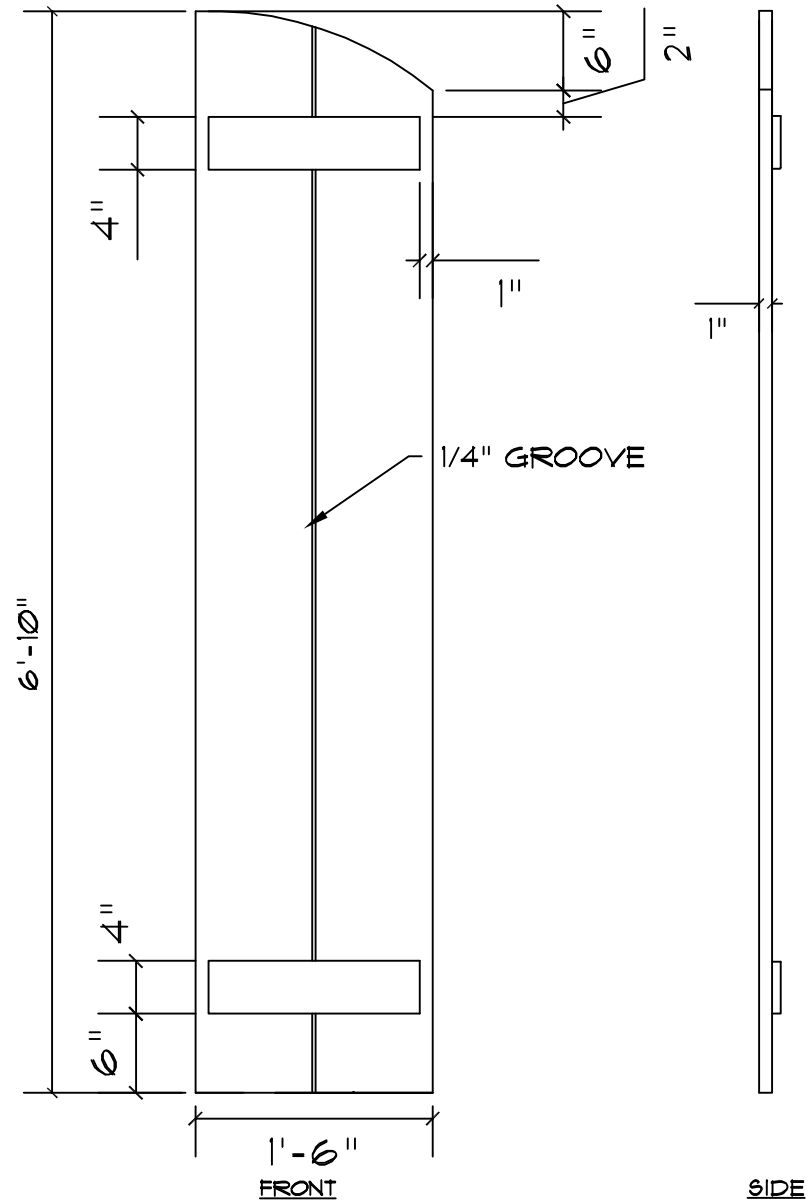
RSE2PG1878

3/4" = 1'-0"



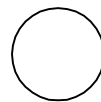
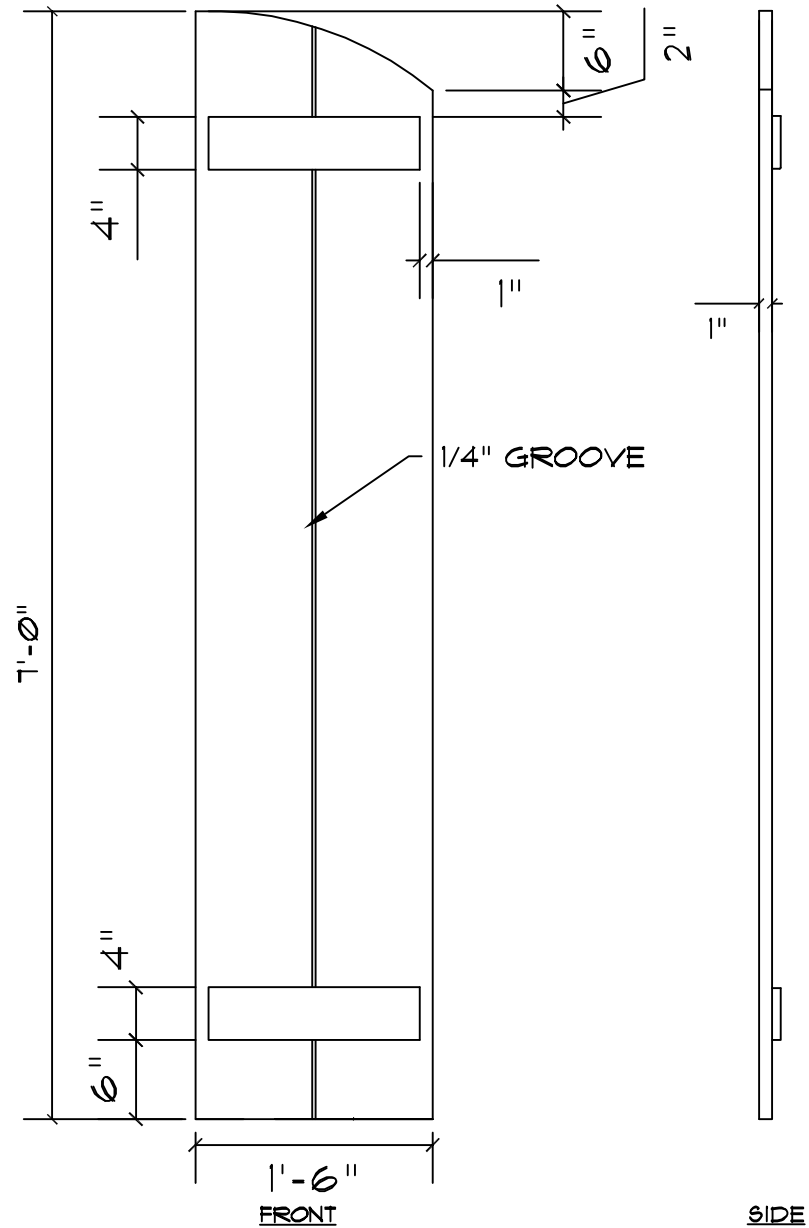
RSE2PG1880

3/4" = 1'-0"



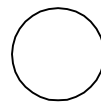
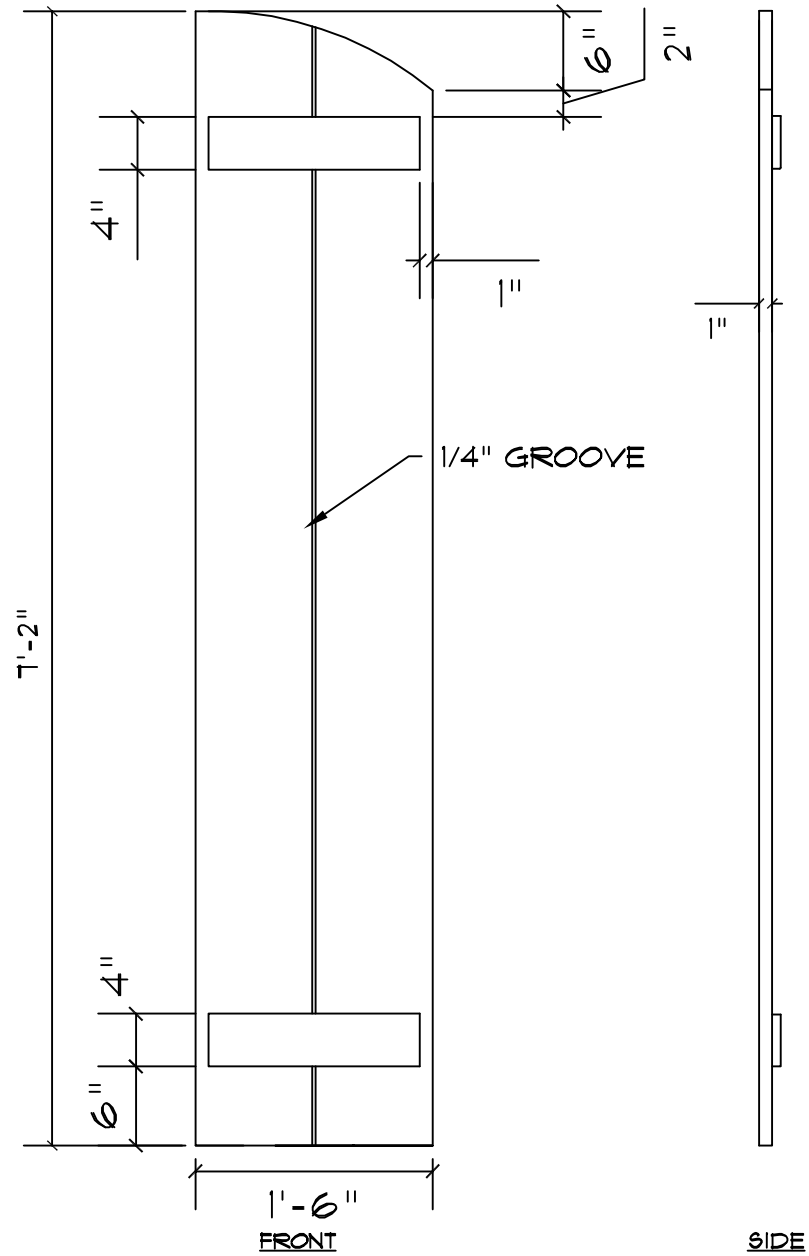
RSE2PG1882

3/4" = 1'-0"



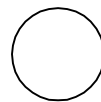
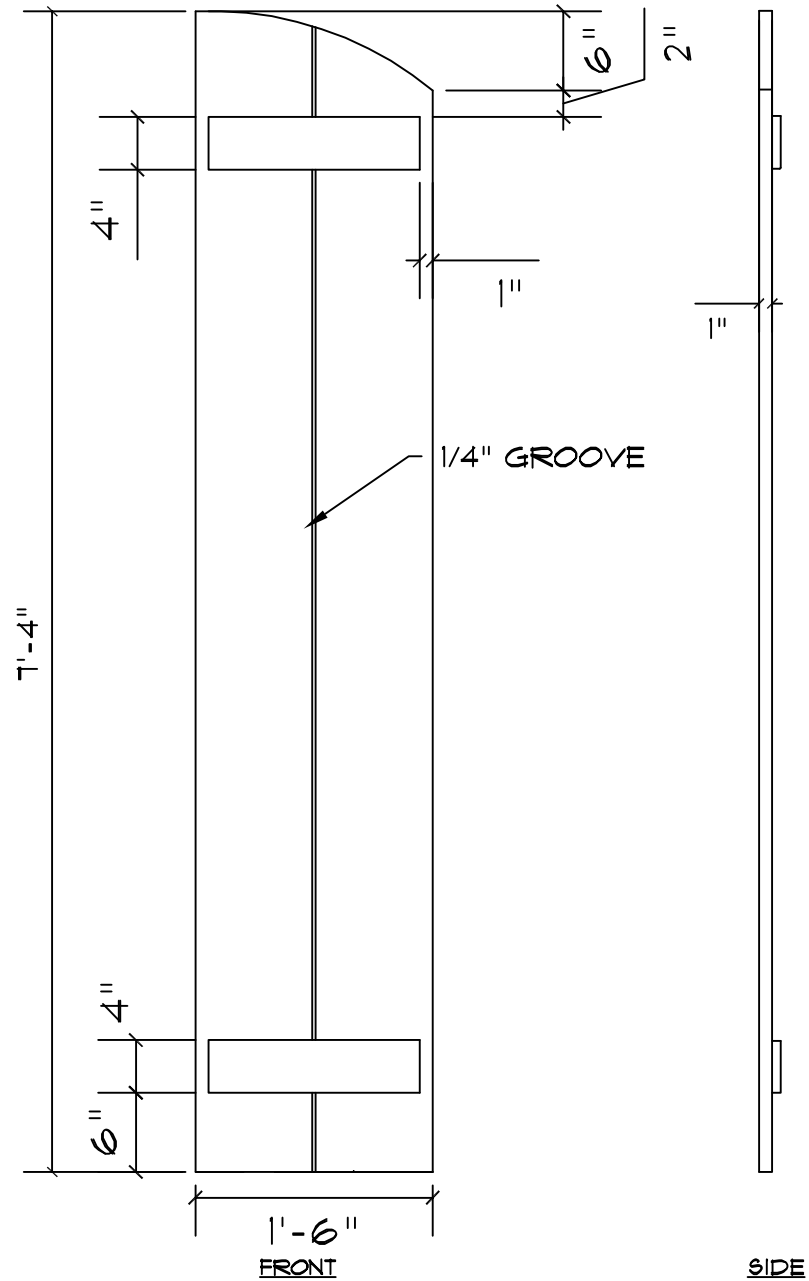
RSE2PG1884

3/4" = 1'-0"



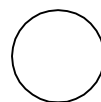
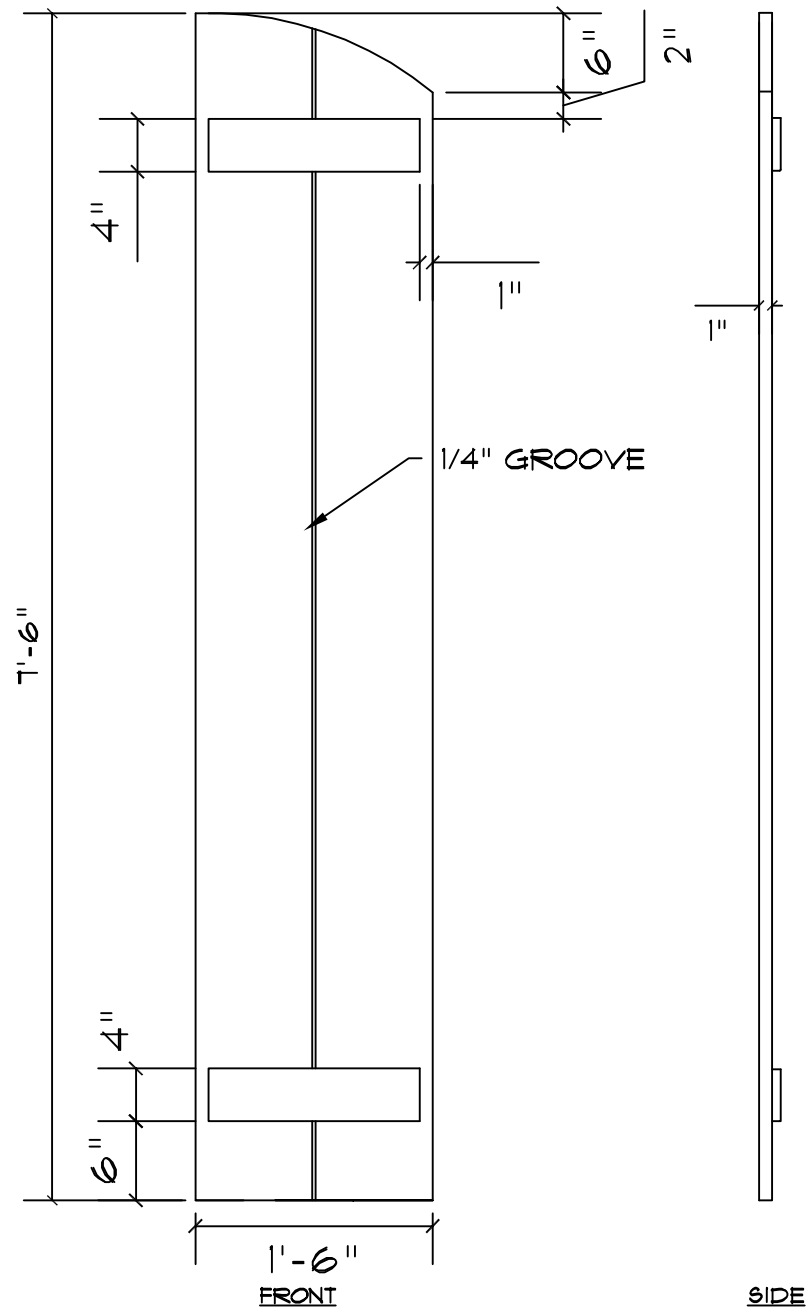
RSE2PG1886

3/4" = 1'-0"



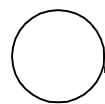
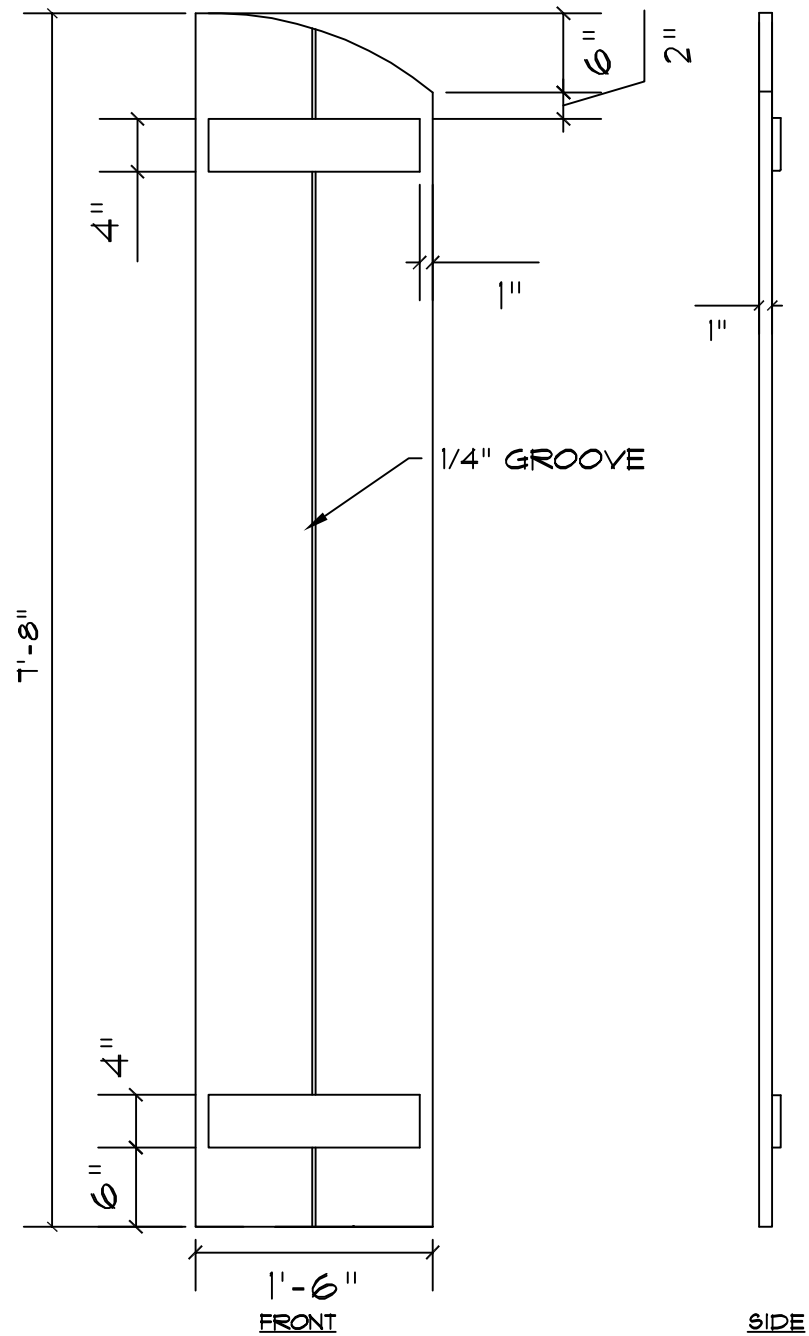
RSE2PG1888

3/4" = 1'-0"



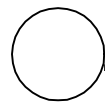
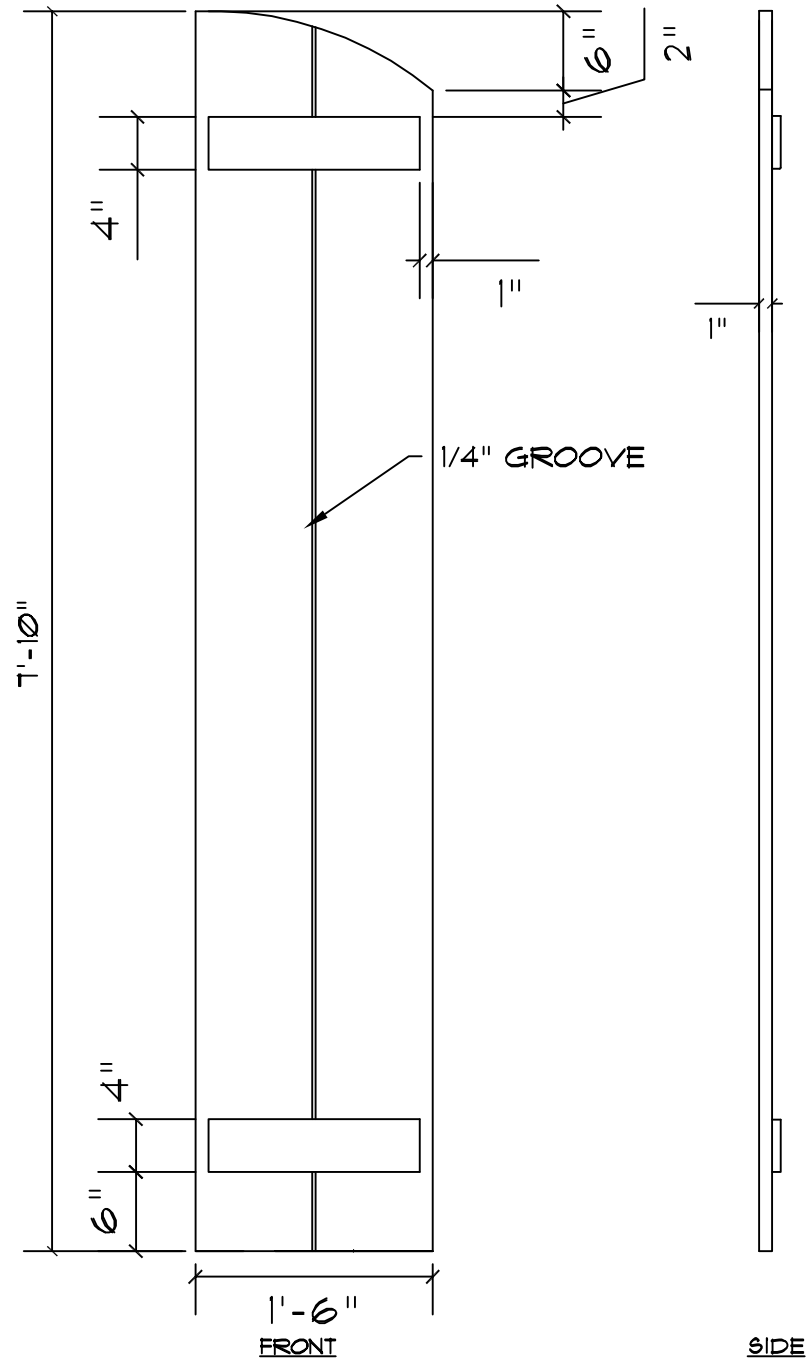
RSE2PG1890

3/4" = 1'-0"



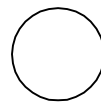
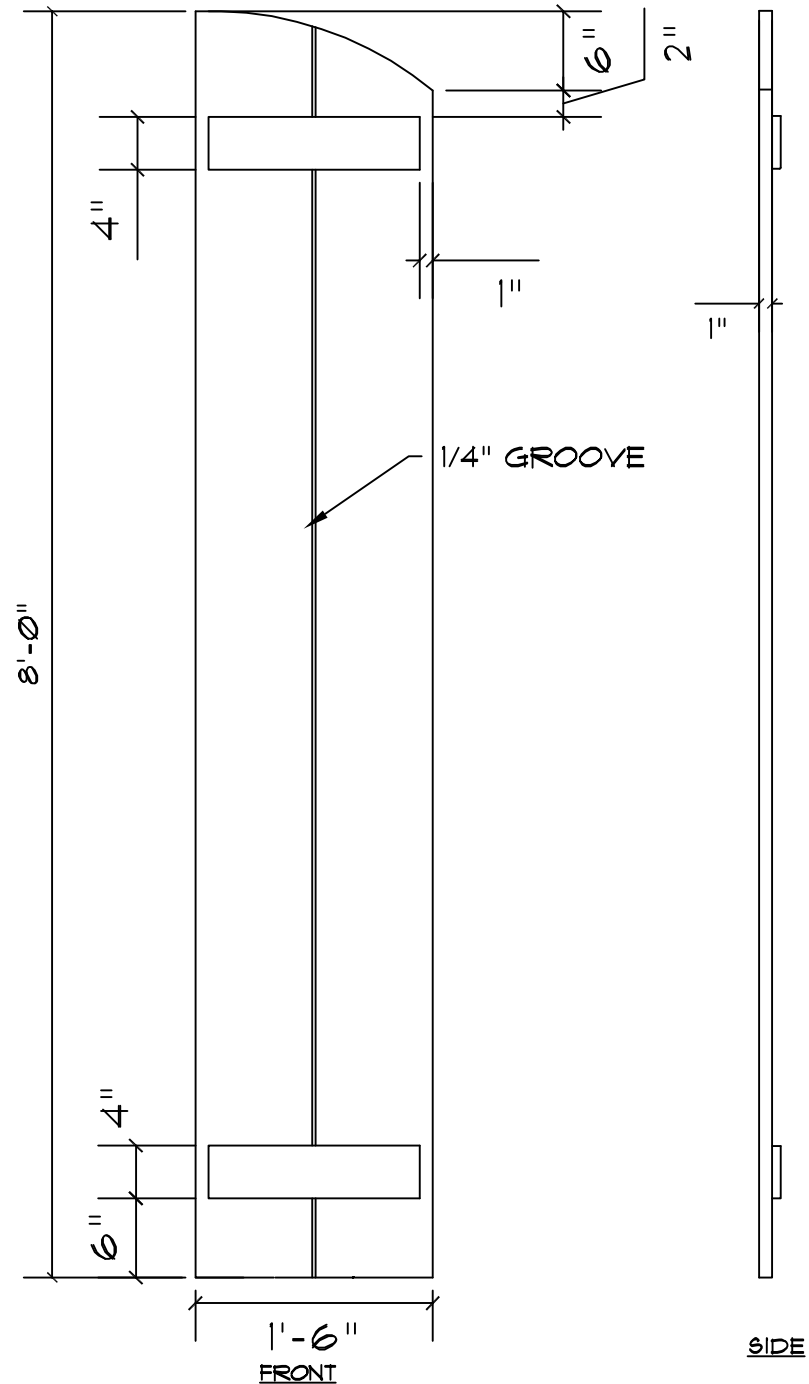
RSE2PG1892

3/4" = 1'-0"



RSE2PG1894

3/4" = 1'-0"



RSE2PG1896

3/4" = 1'-0"