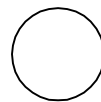
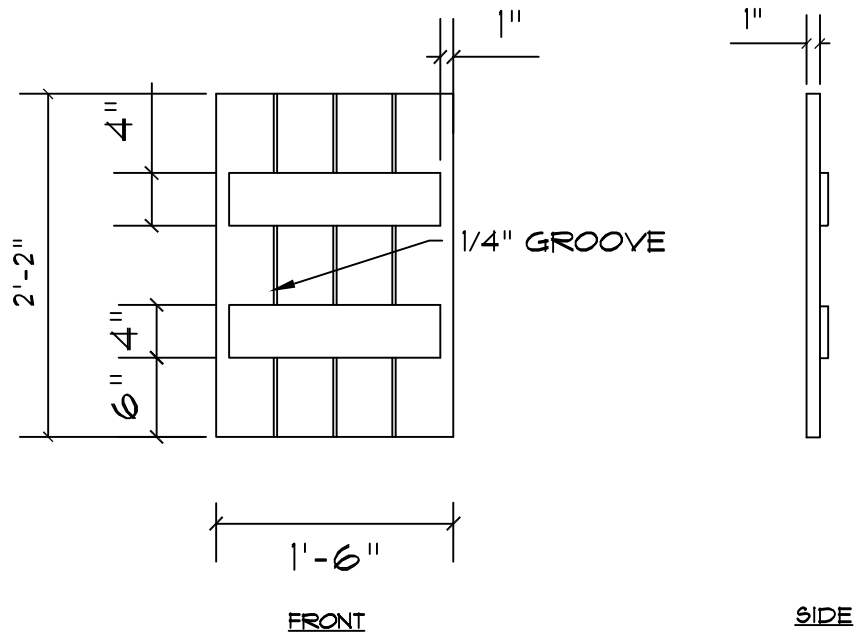


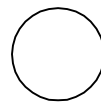
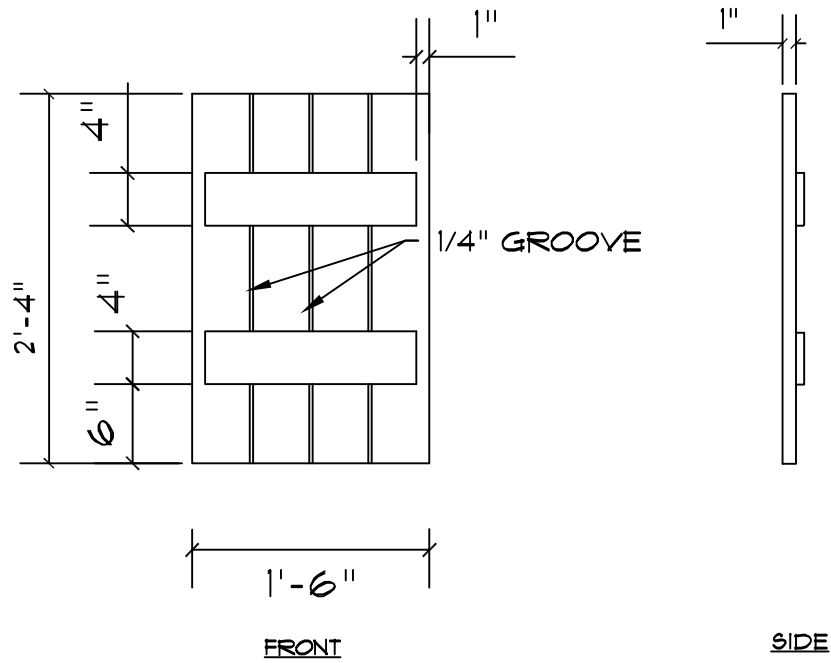
RS4PG1824

3/4" = 1'-0"



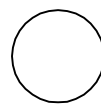
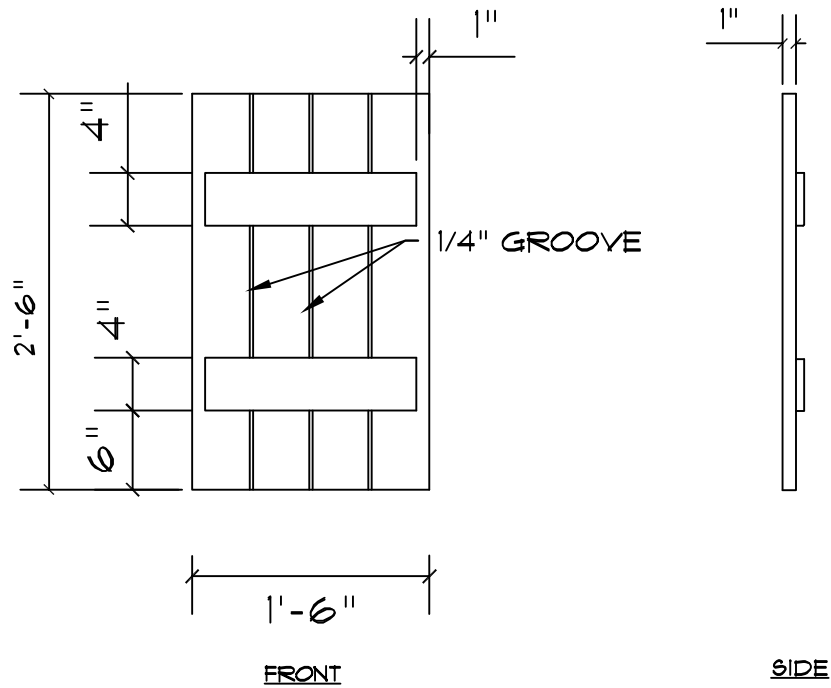
RS4PG1826

3/4" = 1'-0"



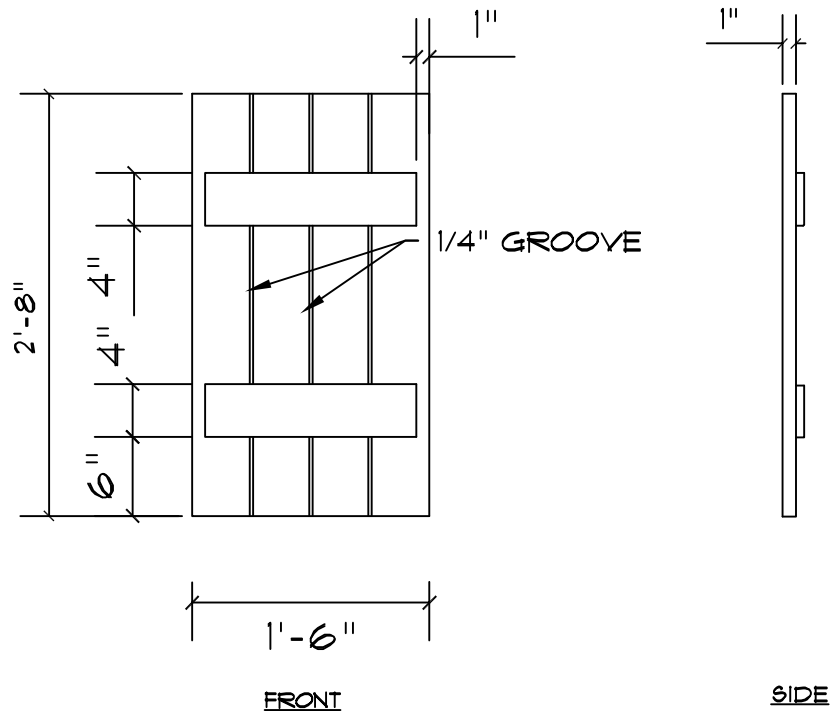
RS4PG1828

3/4" = 1'-0"



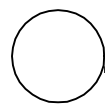
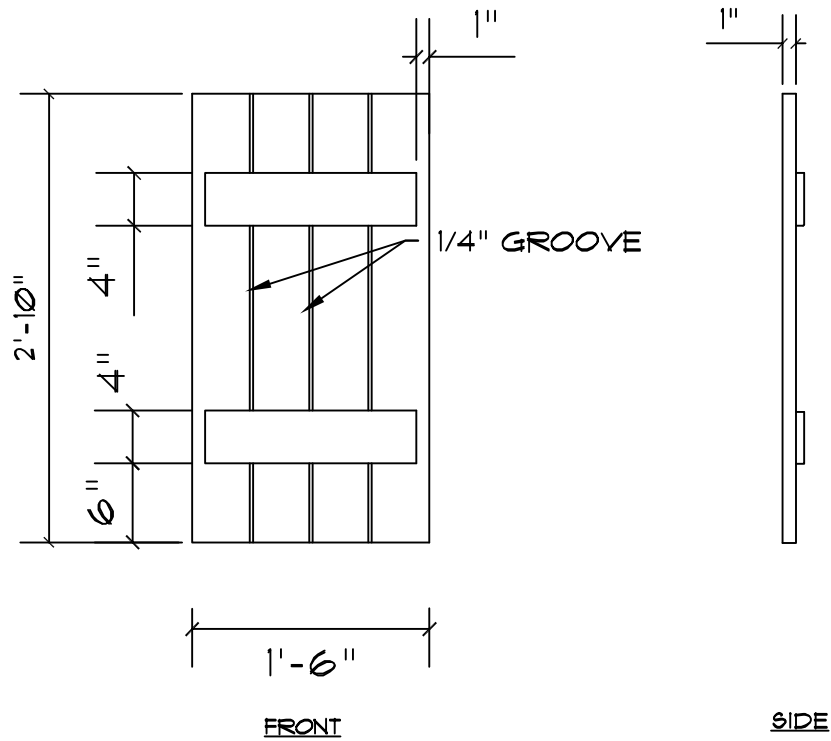
RS4PG1830

3/4" = 1'-0"



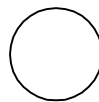
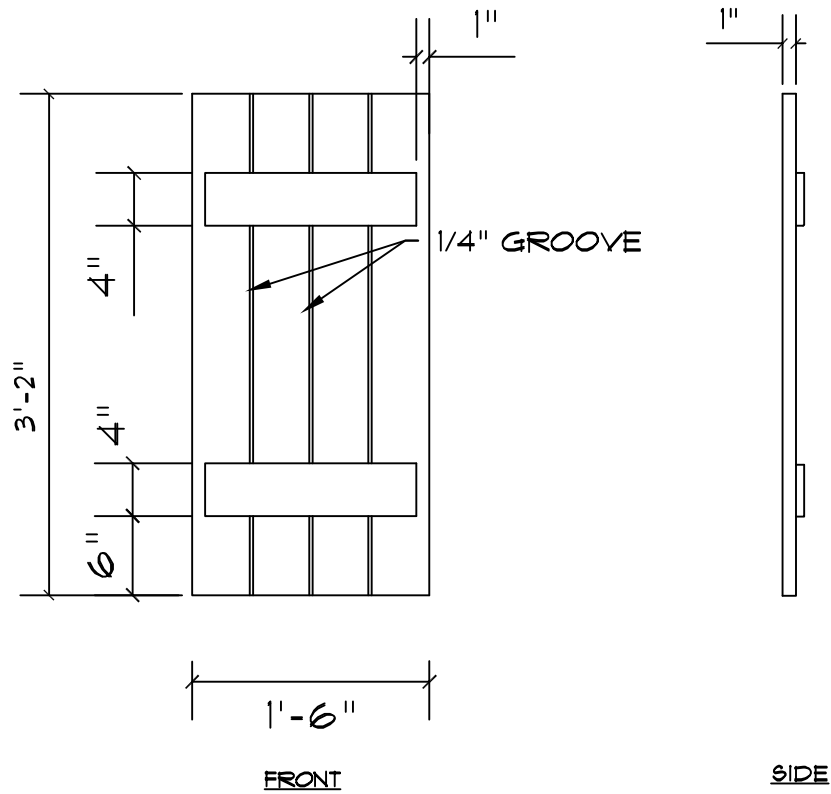
RS4PG1832

 3/4" = 1'-0"



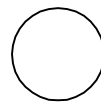
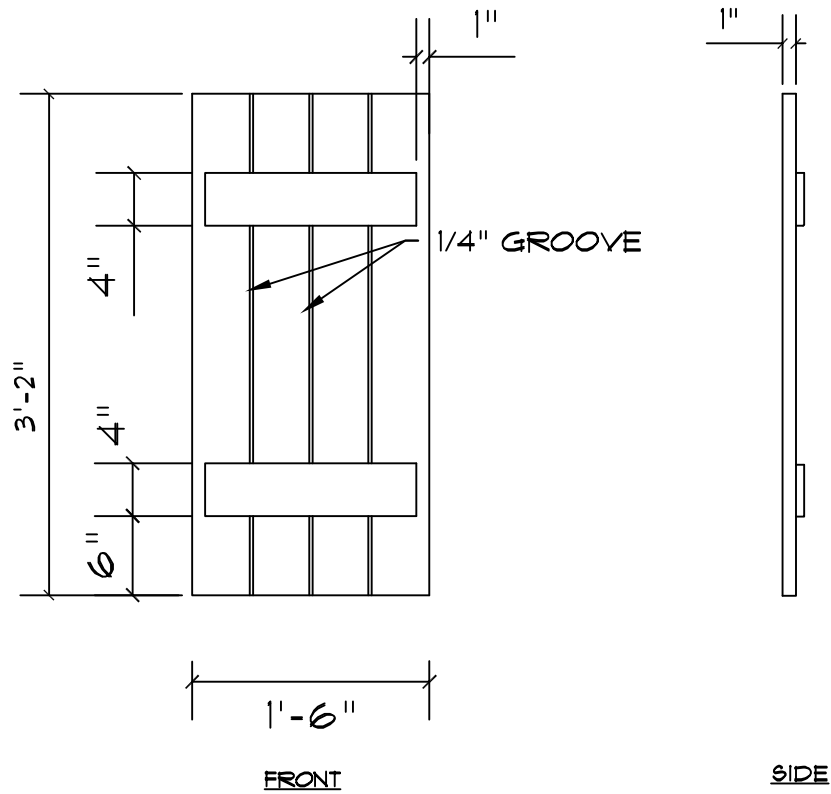
RS4PG1834

3/4" = 1'-0"



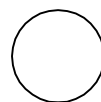
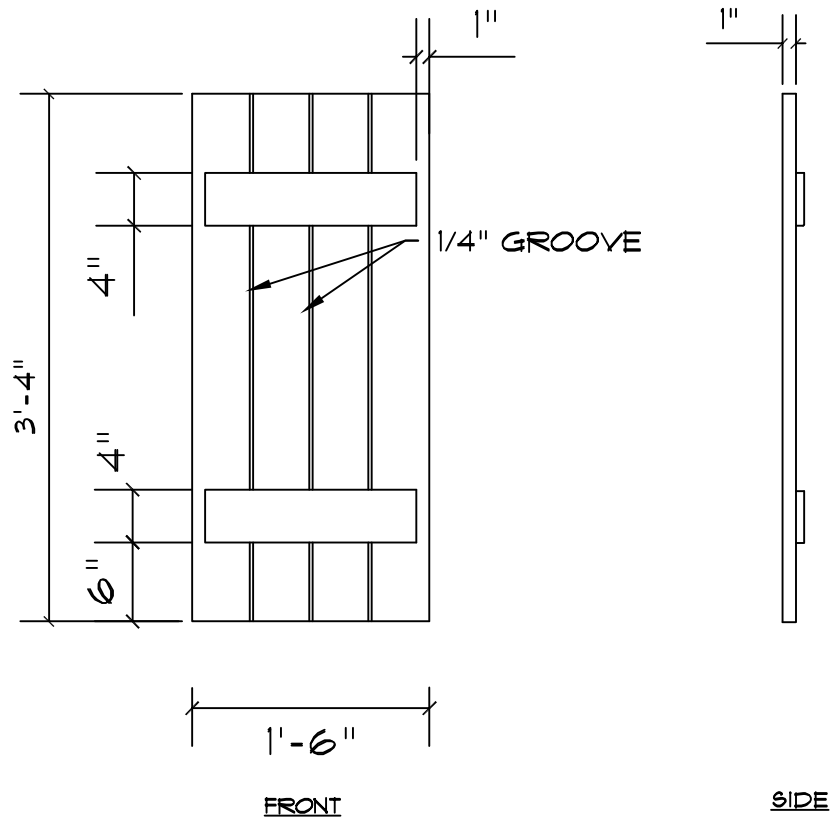
RS4PG1838

3/4" = 1'-0"



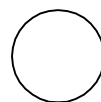
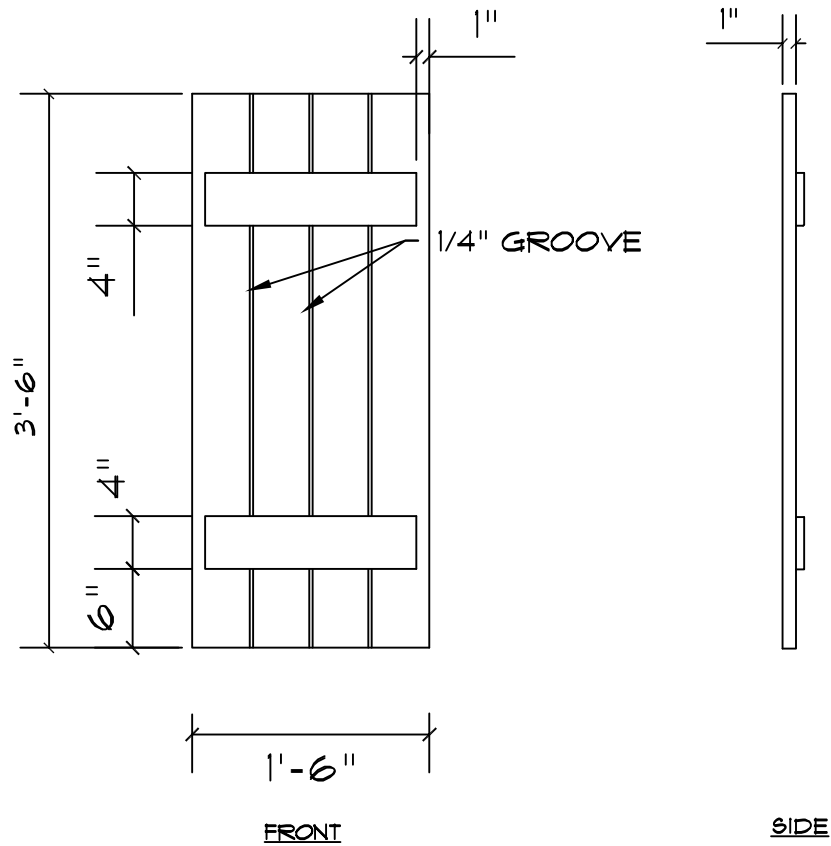
RS4PG1838

3/4" = 1'-0"



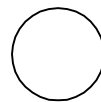
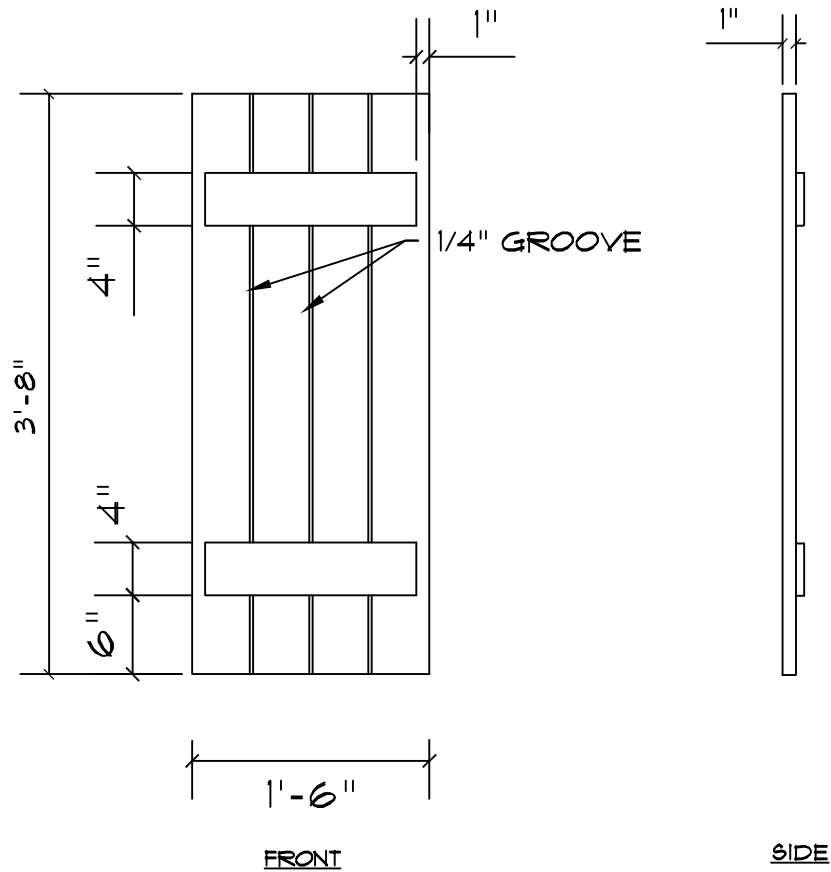
RS4PG1840

3/4" = 1'-0"



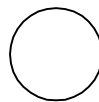
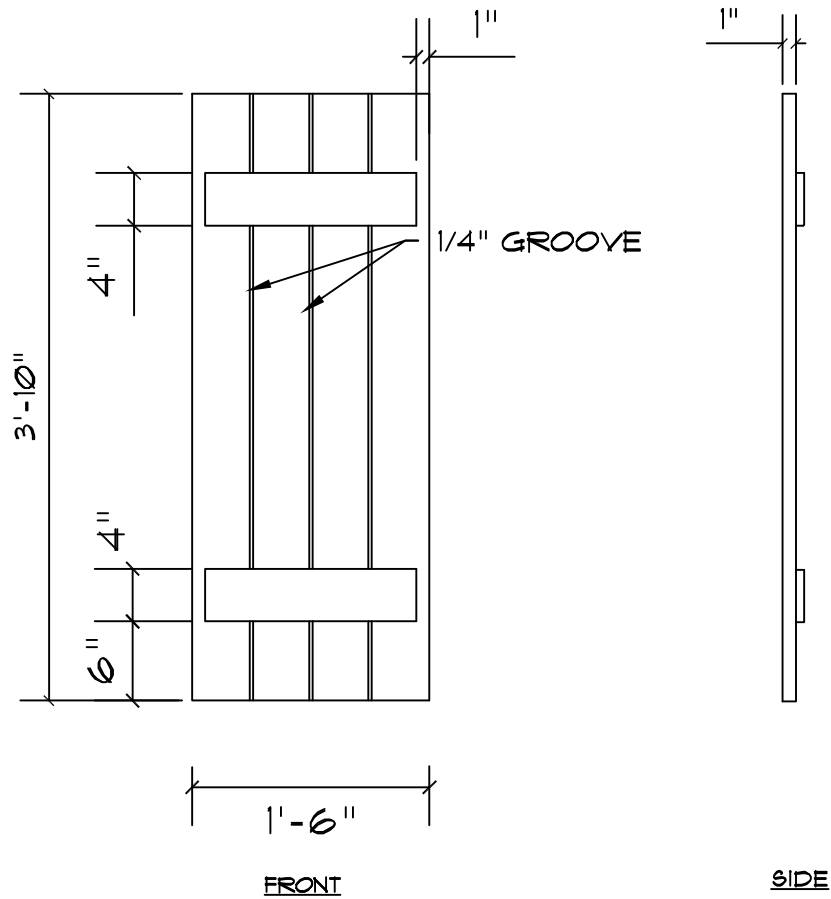
RS4PG1842

3/4" = 1'-0"



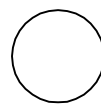
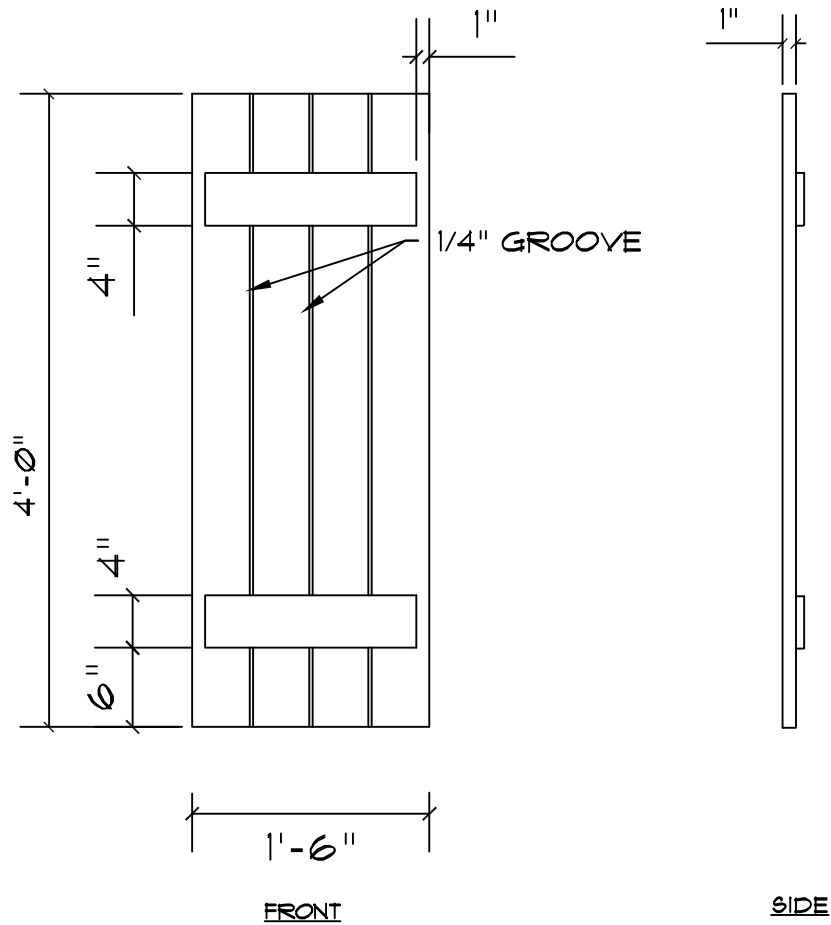
RS4PG1844

3/4" = 1'-0"



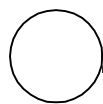
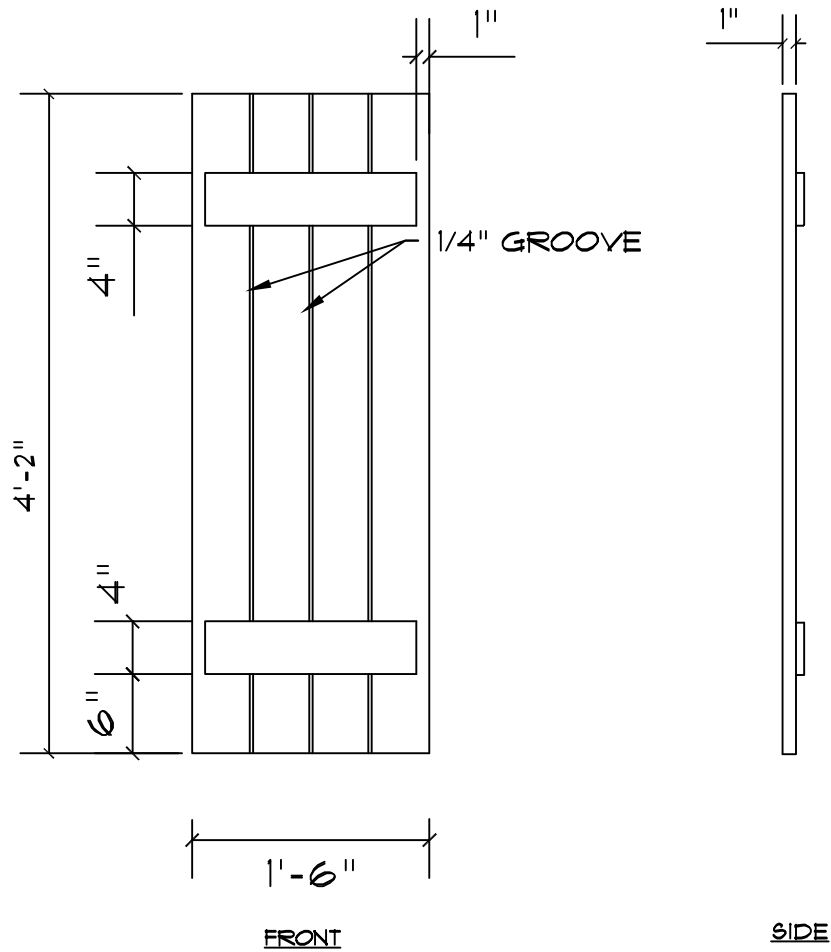
RS4PG1846

3/4" = 1'-0"



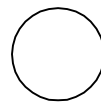
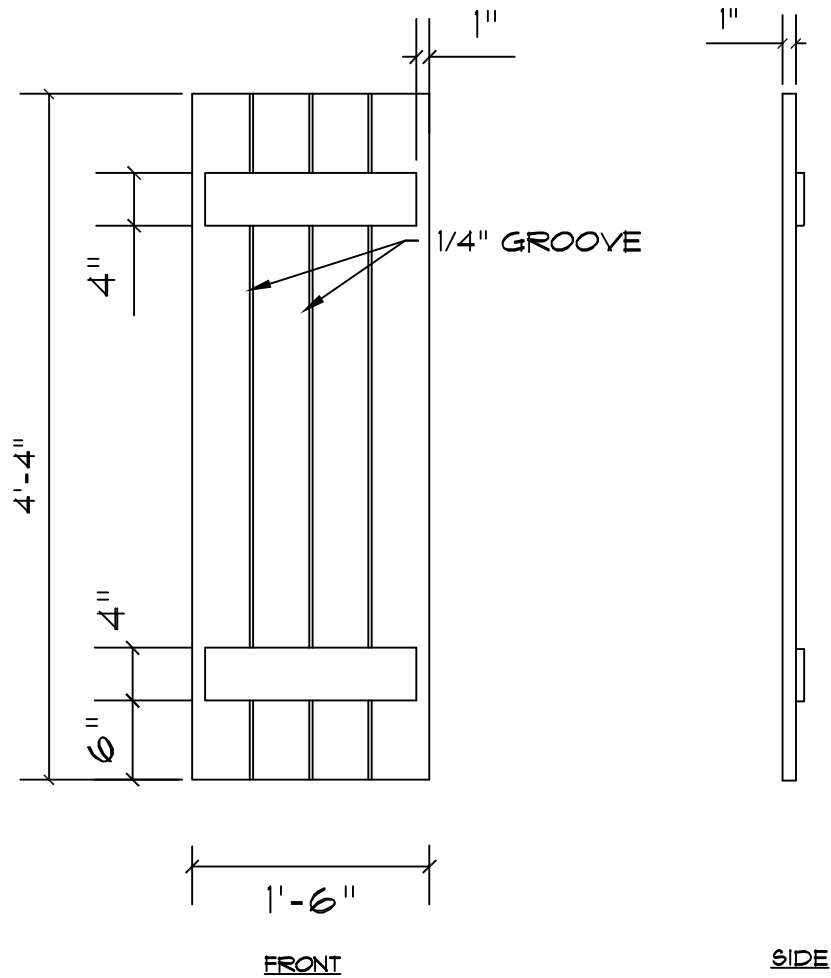
RS4PG1848

3/4" = 1'-0"



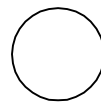
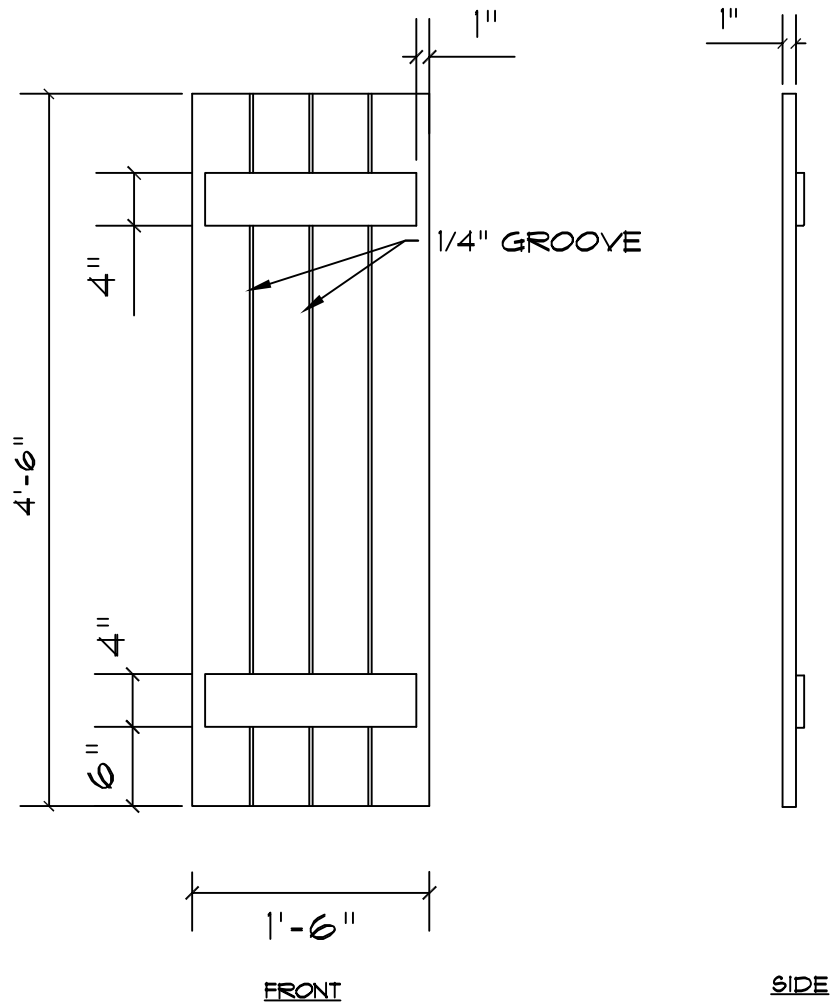
RS4PG1850

3/4" = 1'-0"



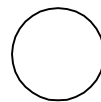
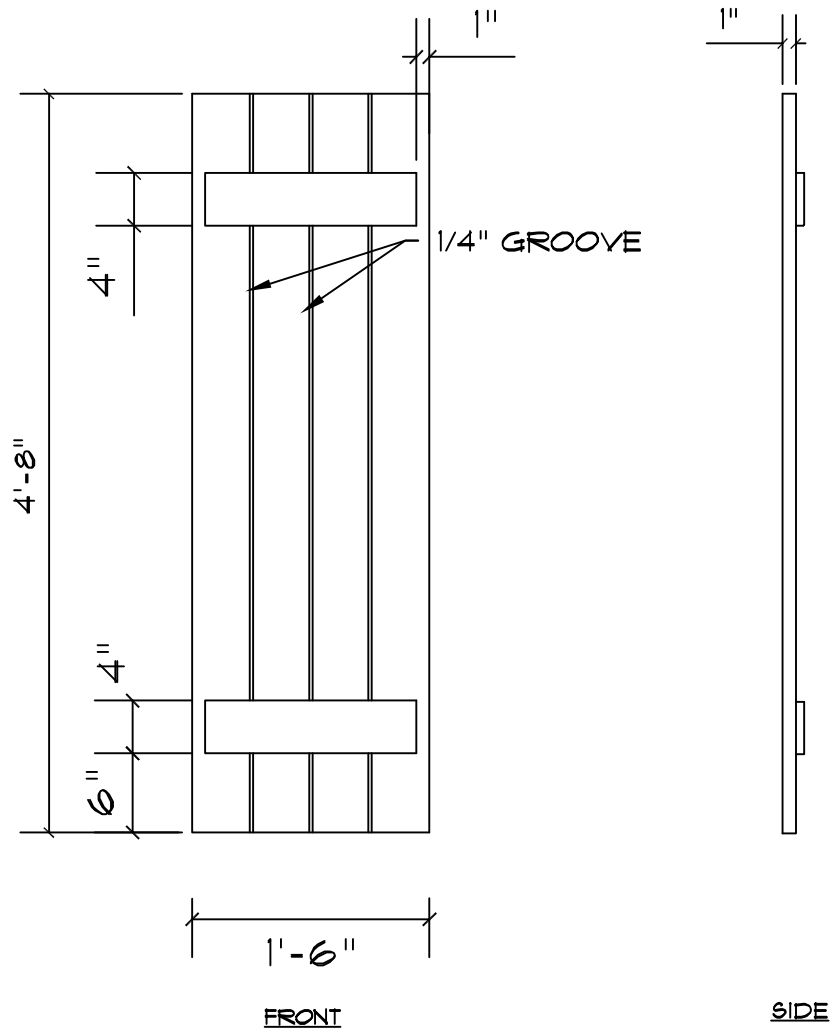
RS4PG1852

3/4" = 1'-0"



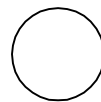
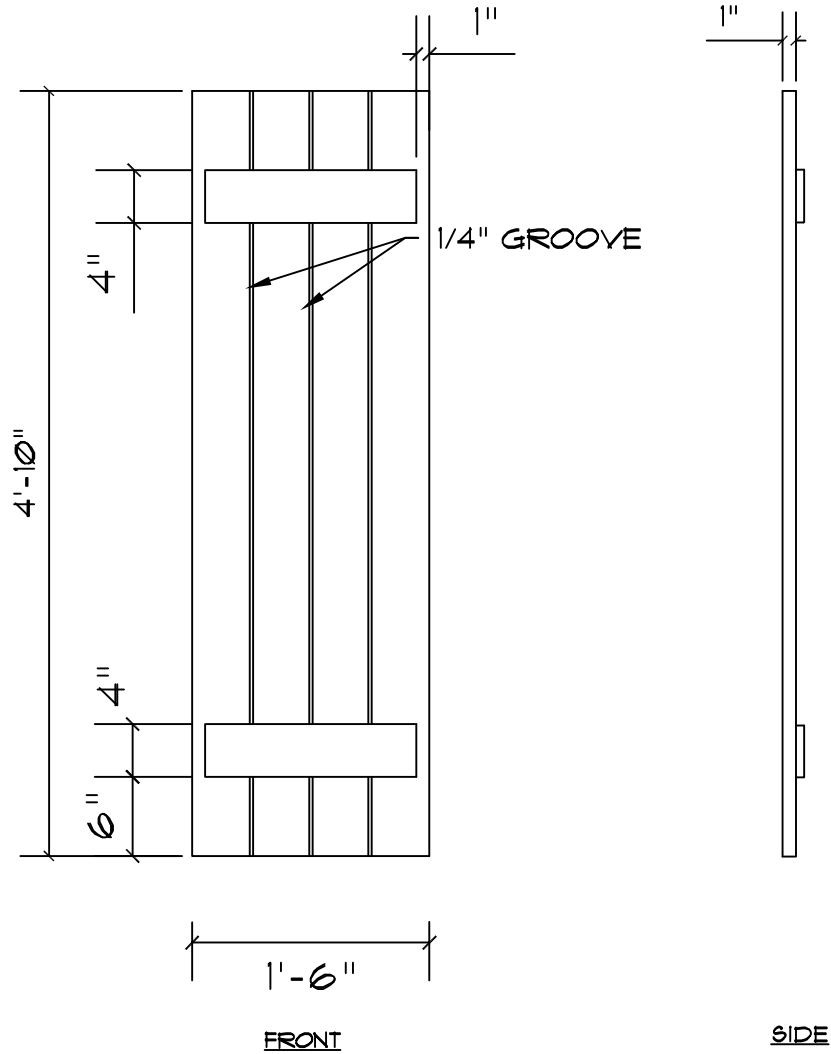
RS4PG1854

3/4" = 1'-0"



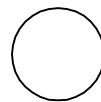
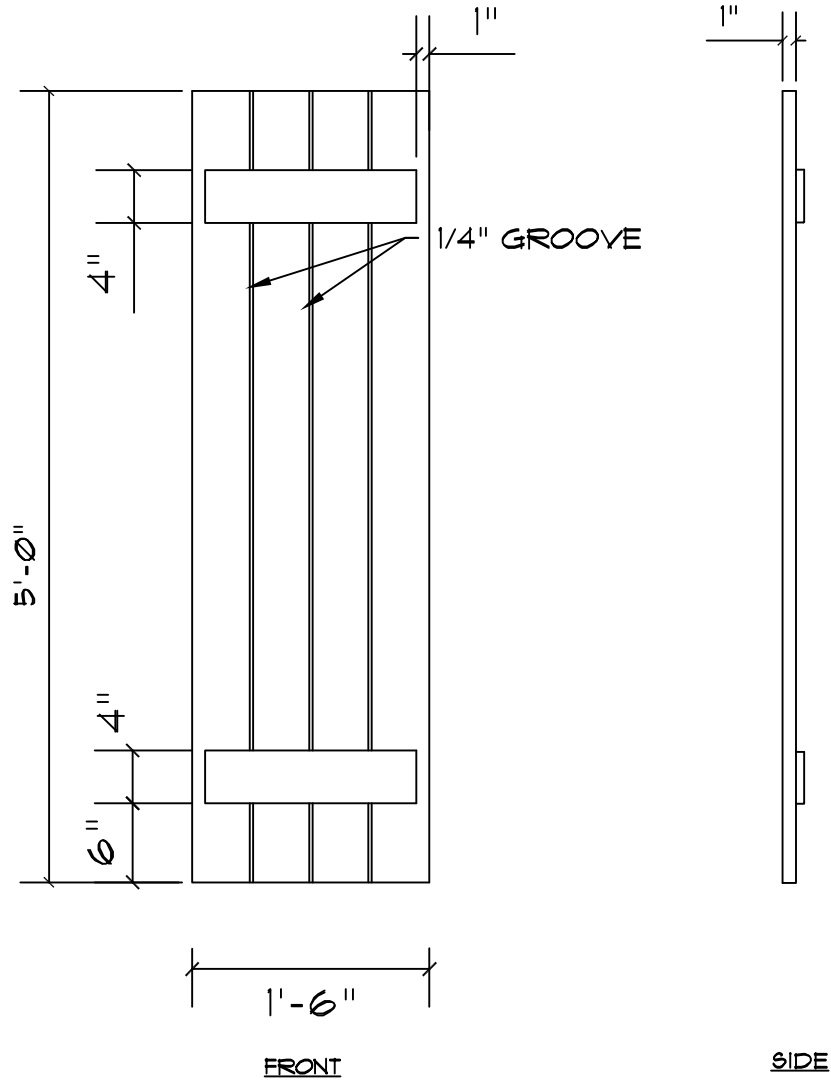
RS4PG1856

3/4" = 1'-0"



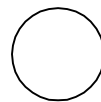
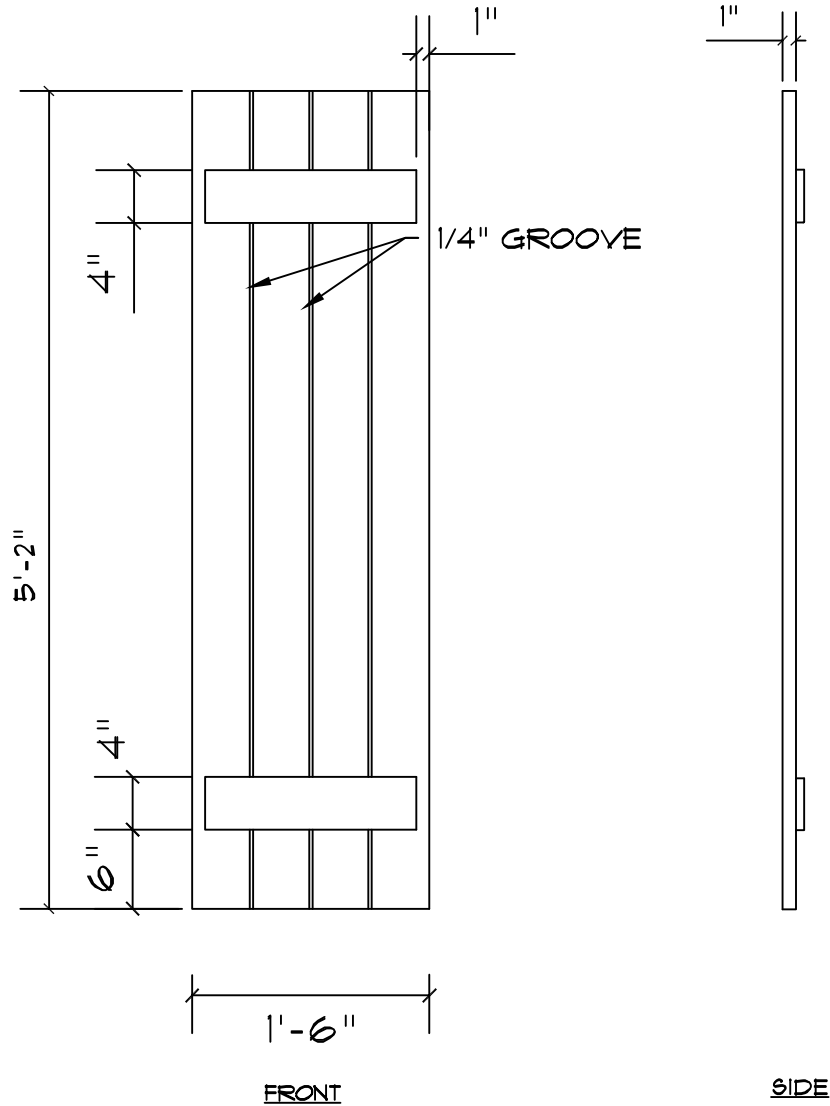
RS4PG1858

3/4" = 1'-0"



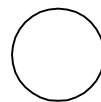
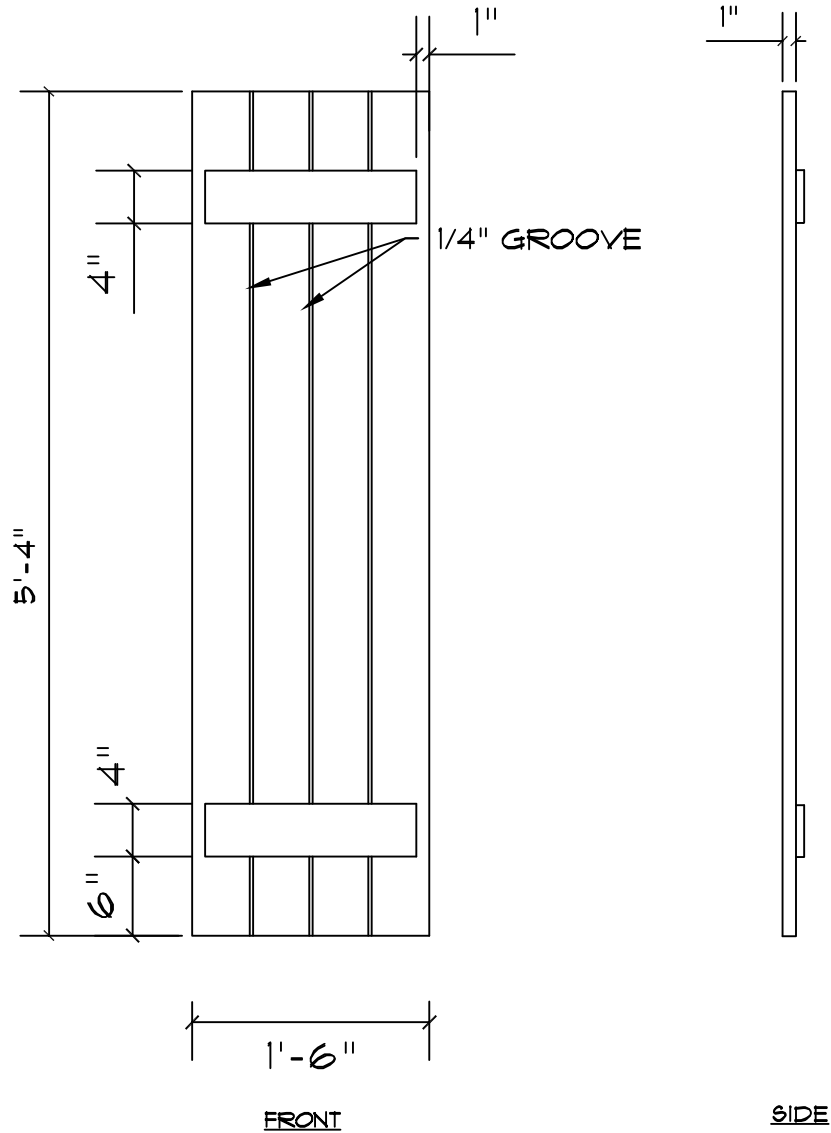
RS4PG1860

3/4" = 1'-0"



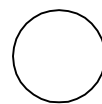
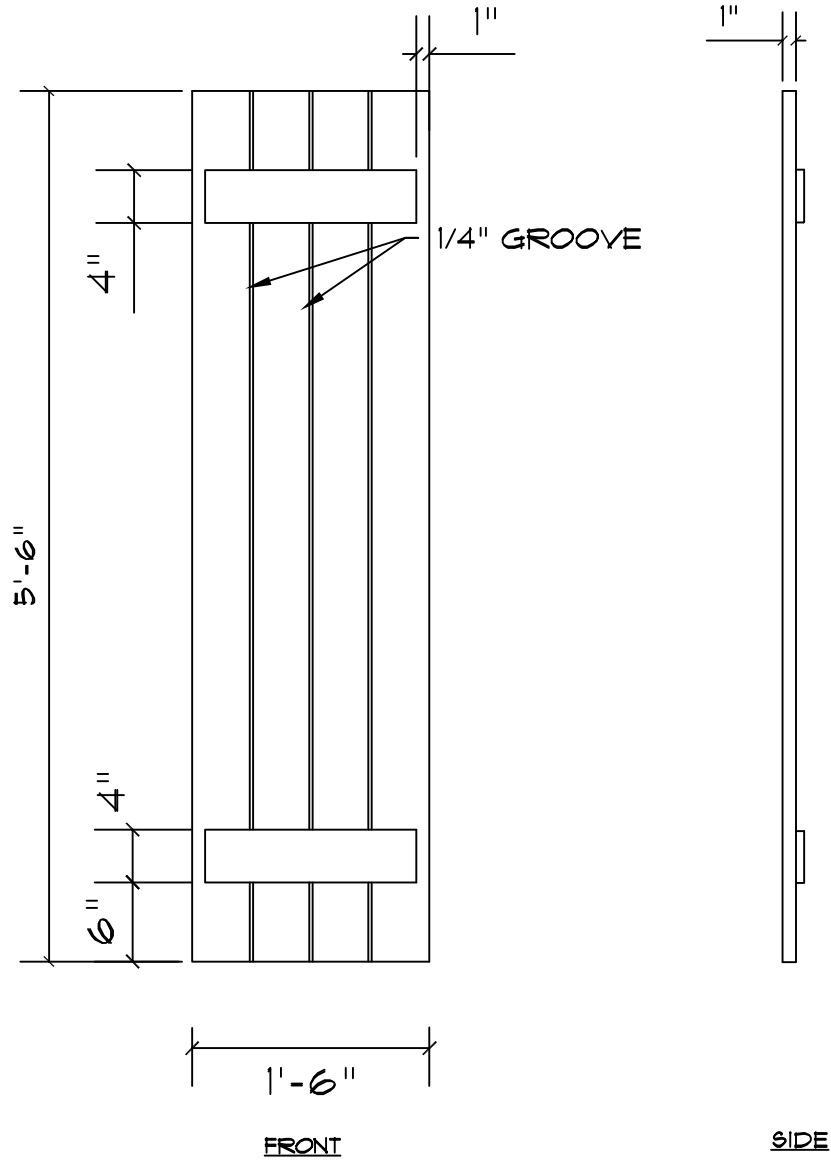
RS4PG1862

3/4" = 1'-0"



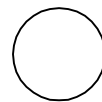
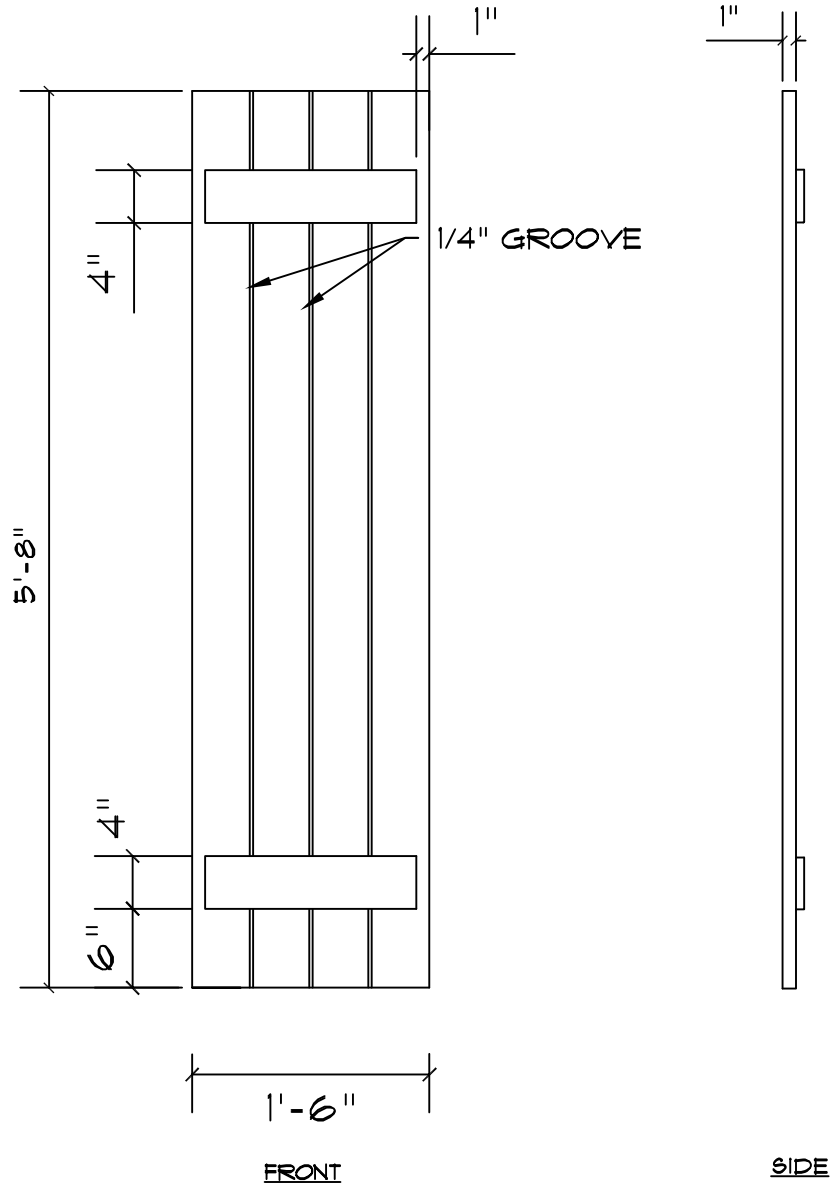
RS4PG1864

3/4" = 1'-0"



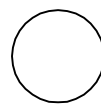
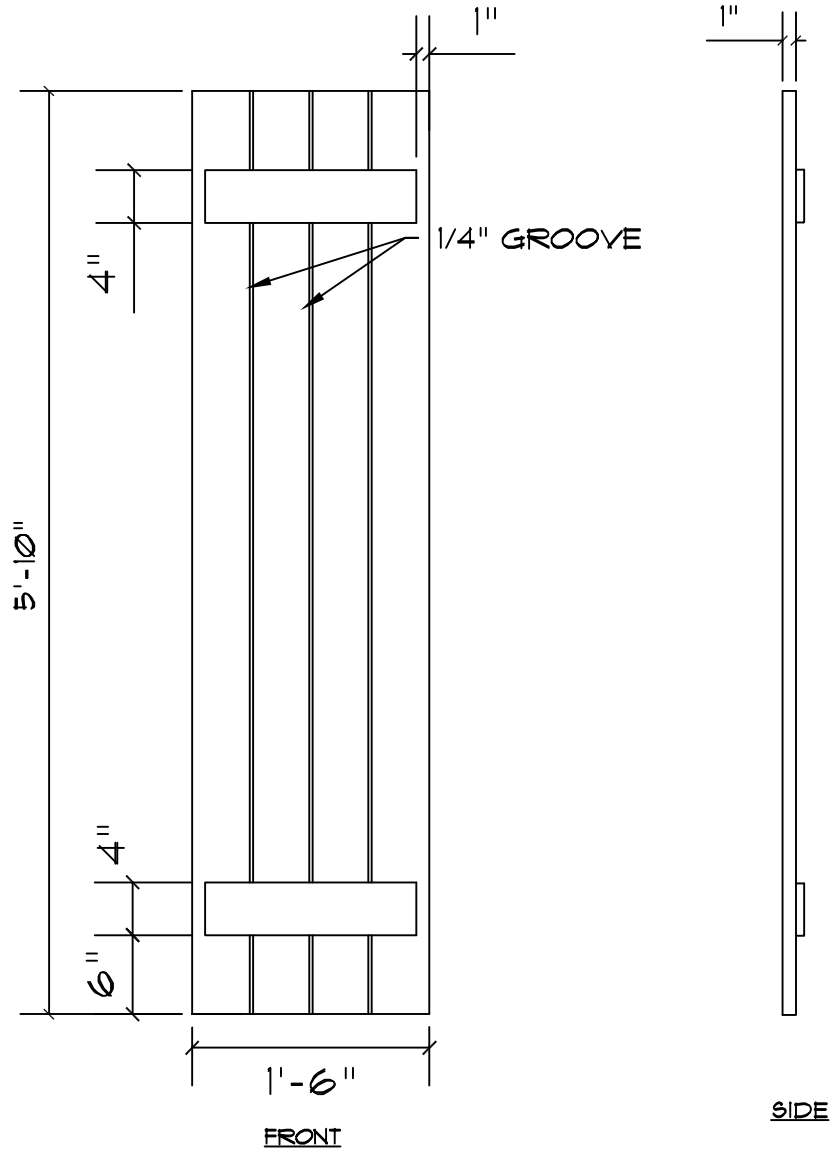
RS4PG1866

3/4" = 1'-0"



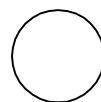
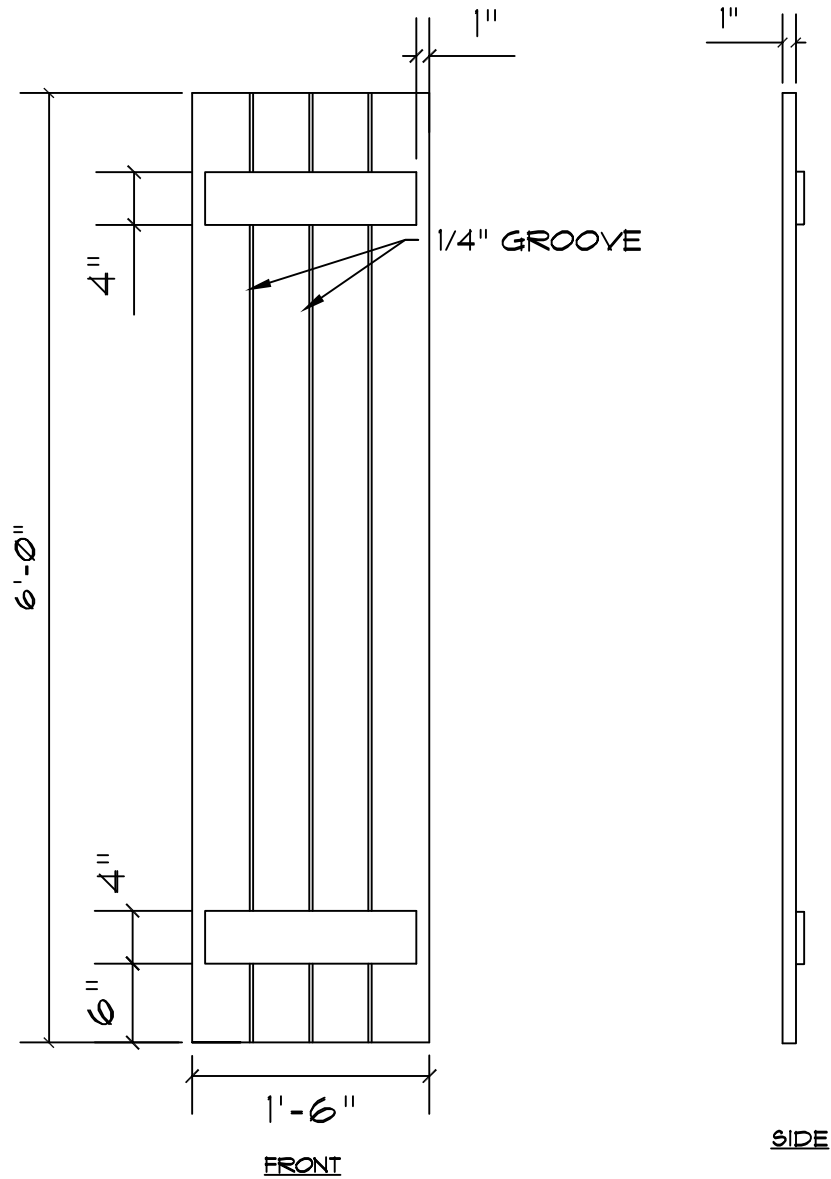
RS4PG1868

3/4" = 1'-0"



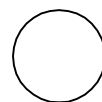
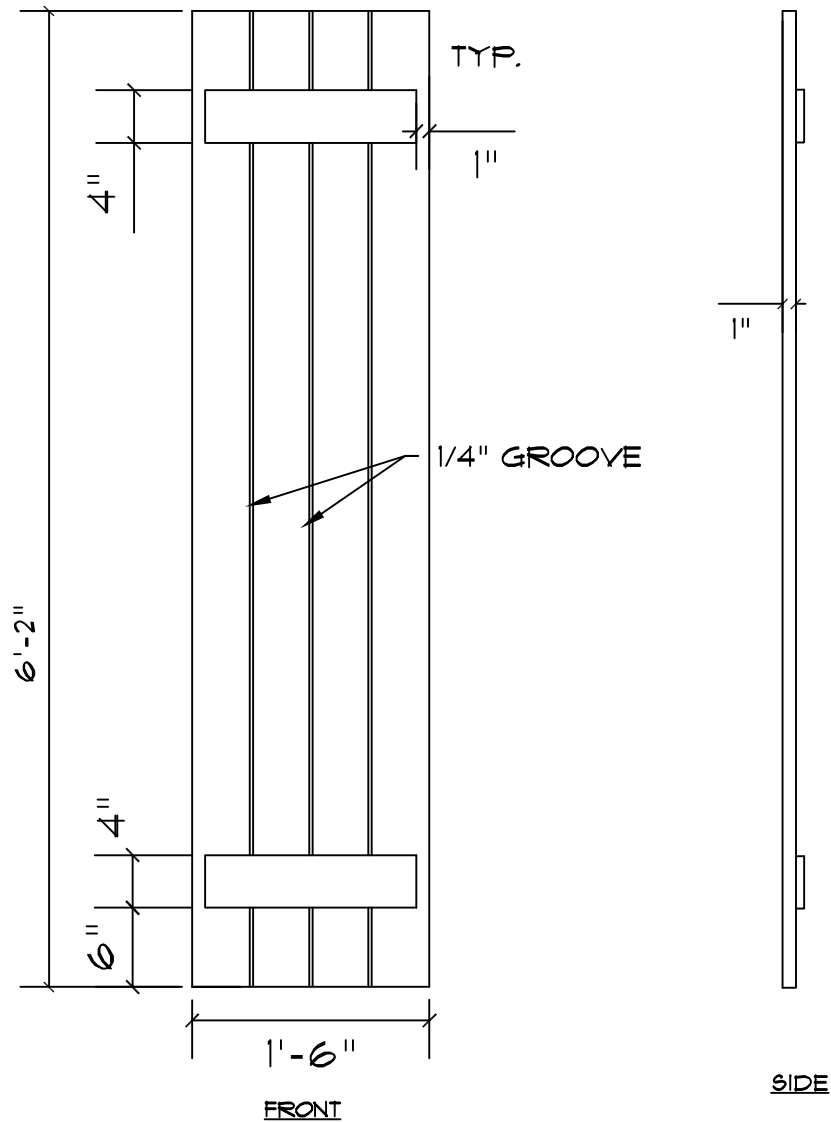
RS4PG1870

3/4" = 1'-0"



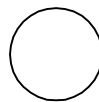
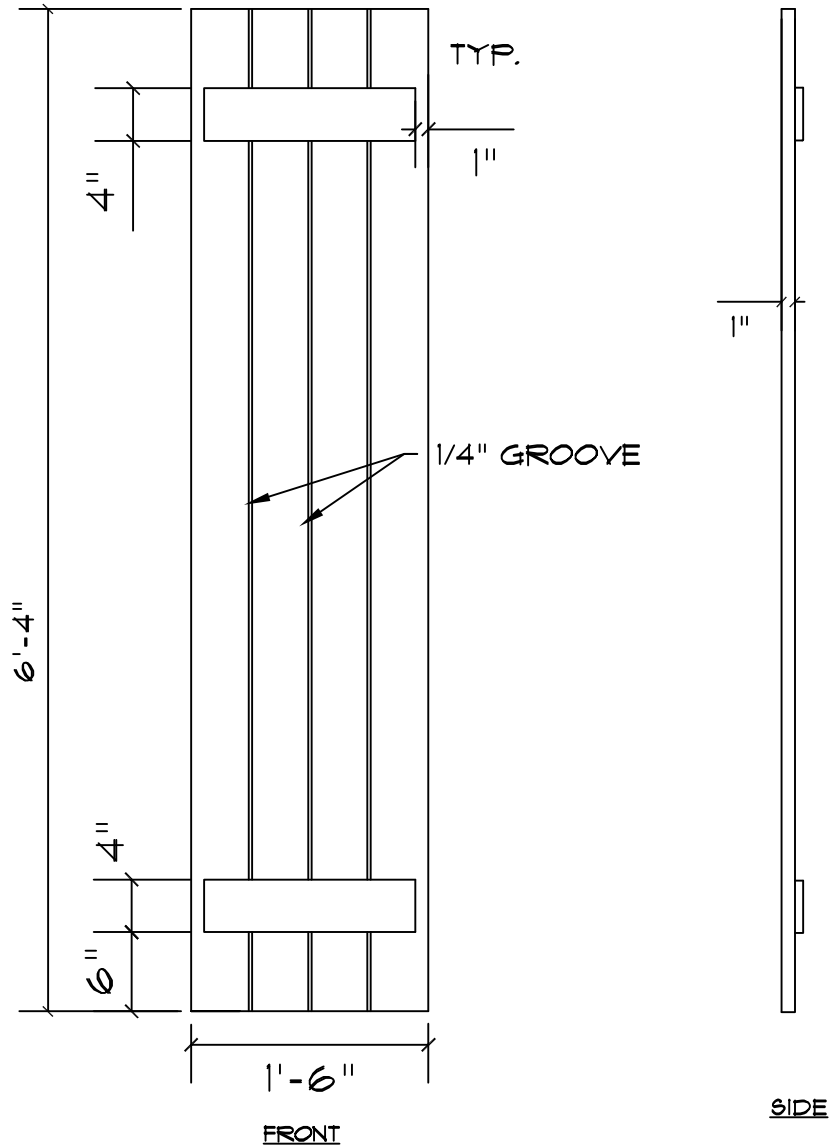
RS4PG1872

3/4" = 1'-0"



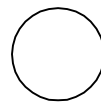
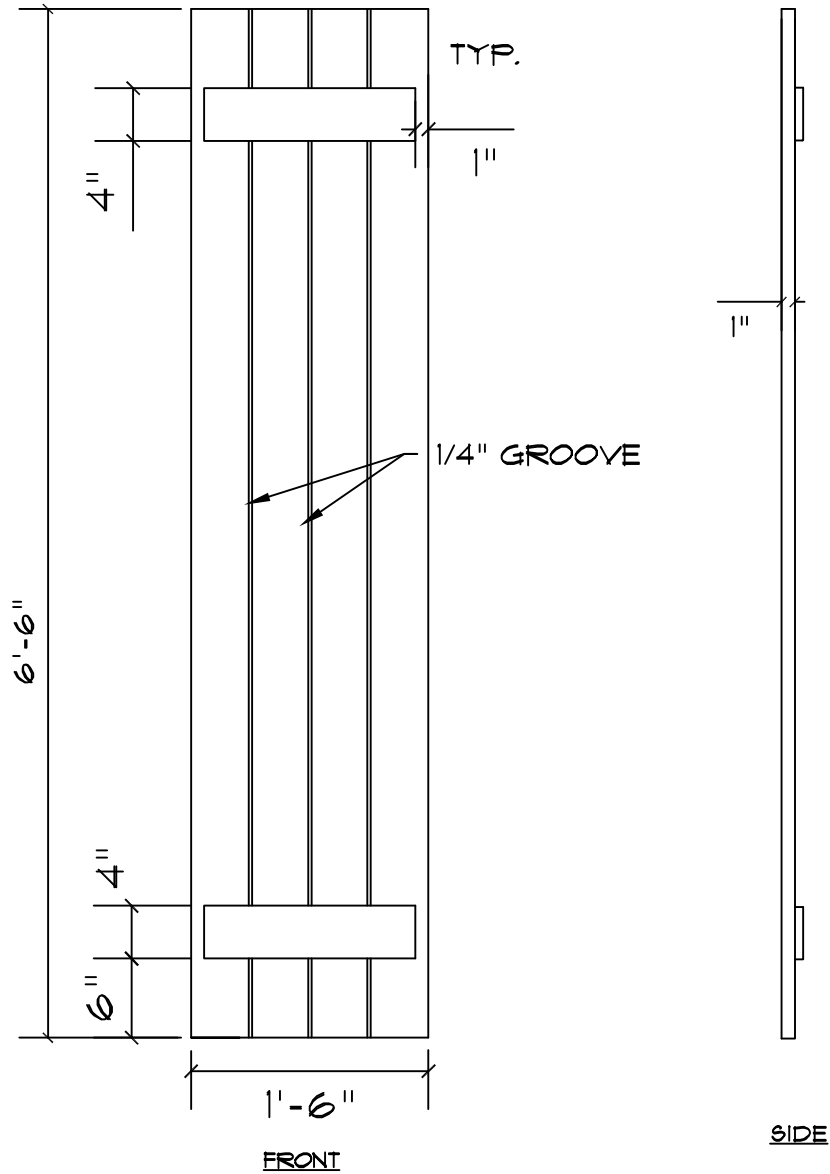
RS4PG1874

3/4" = 1'-0"



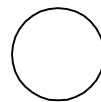
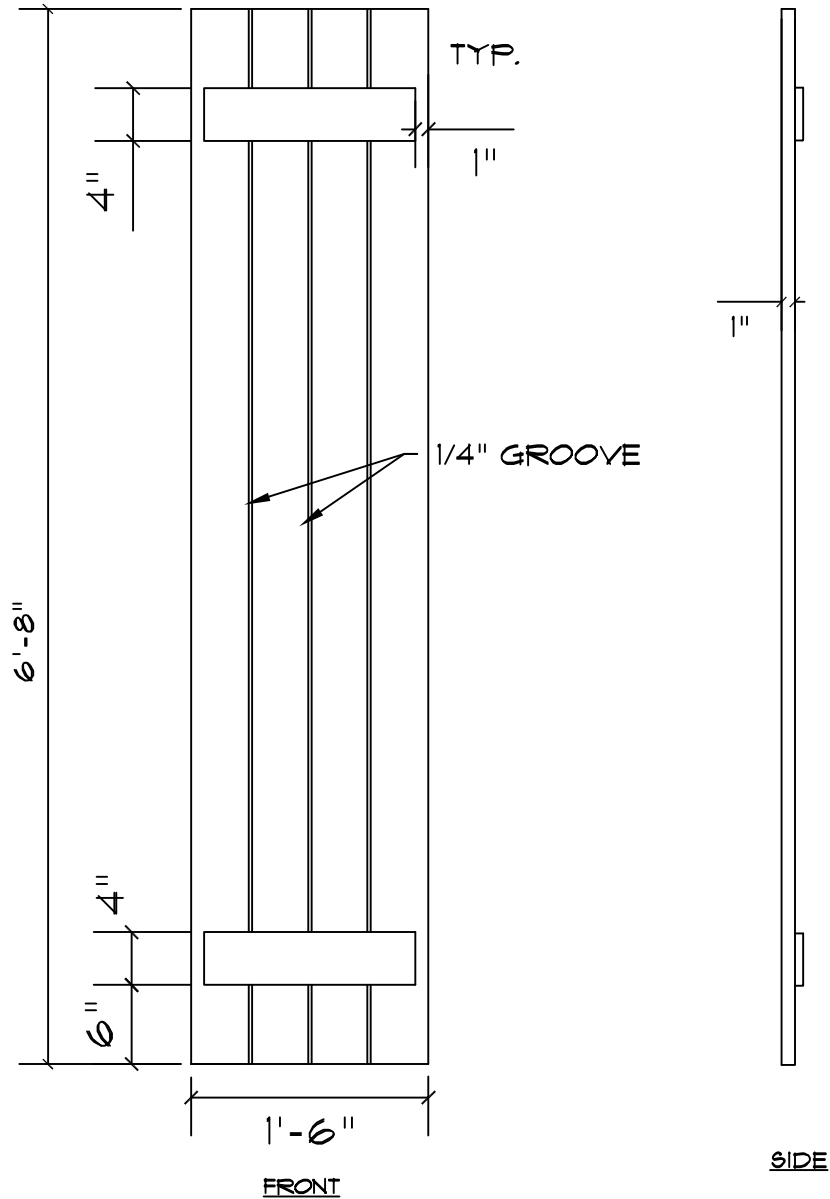
RS4PG1876

3/4" = 1'-0"



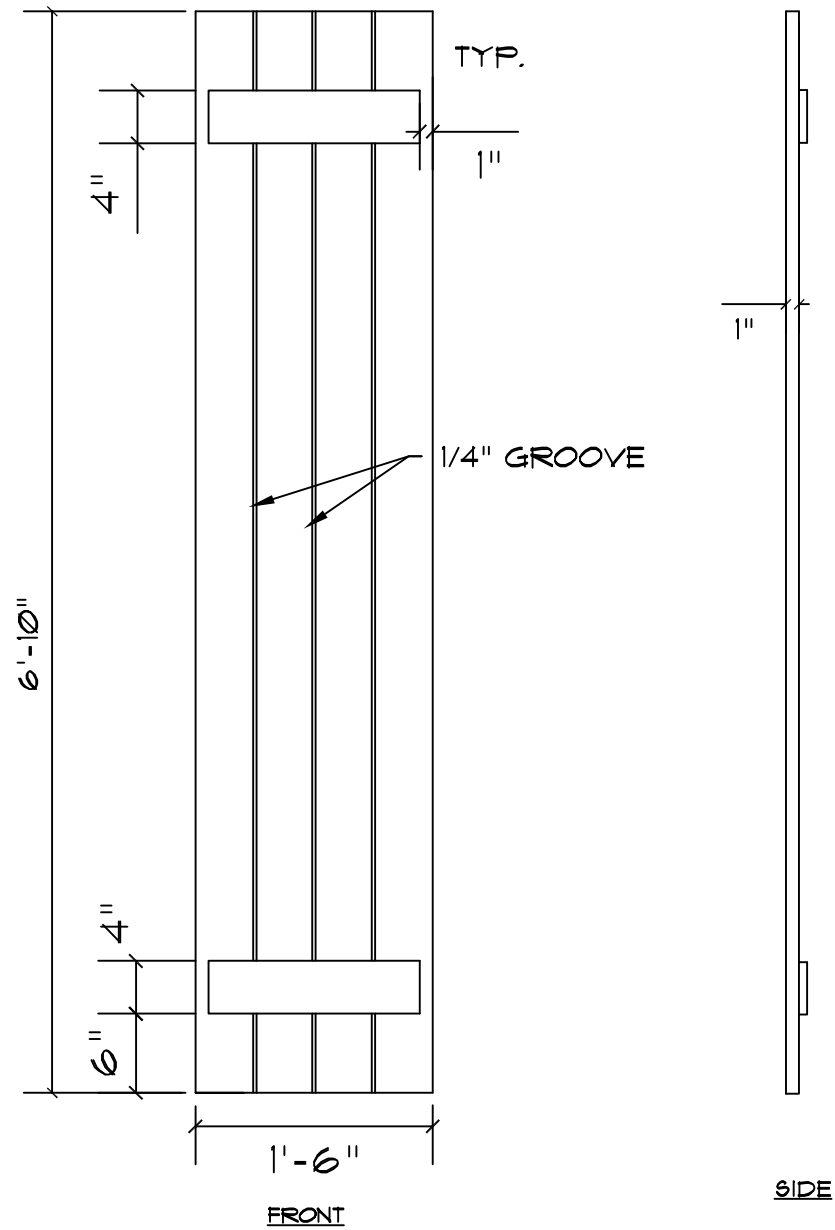
RS4PG1878

3/4" = 1'-0"

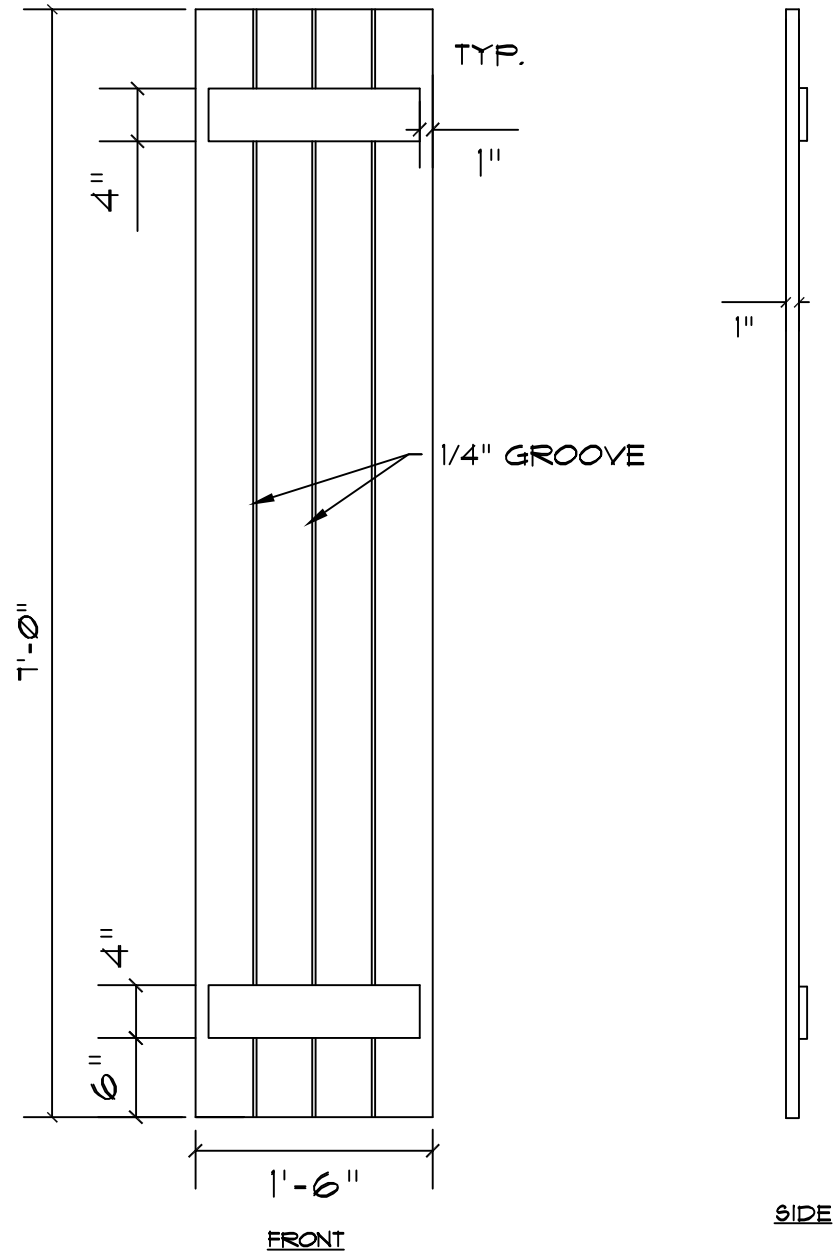


RS4PG1880

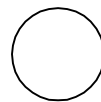
3/4" = 1'-0"

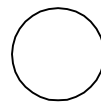
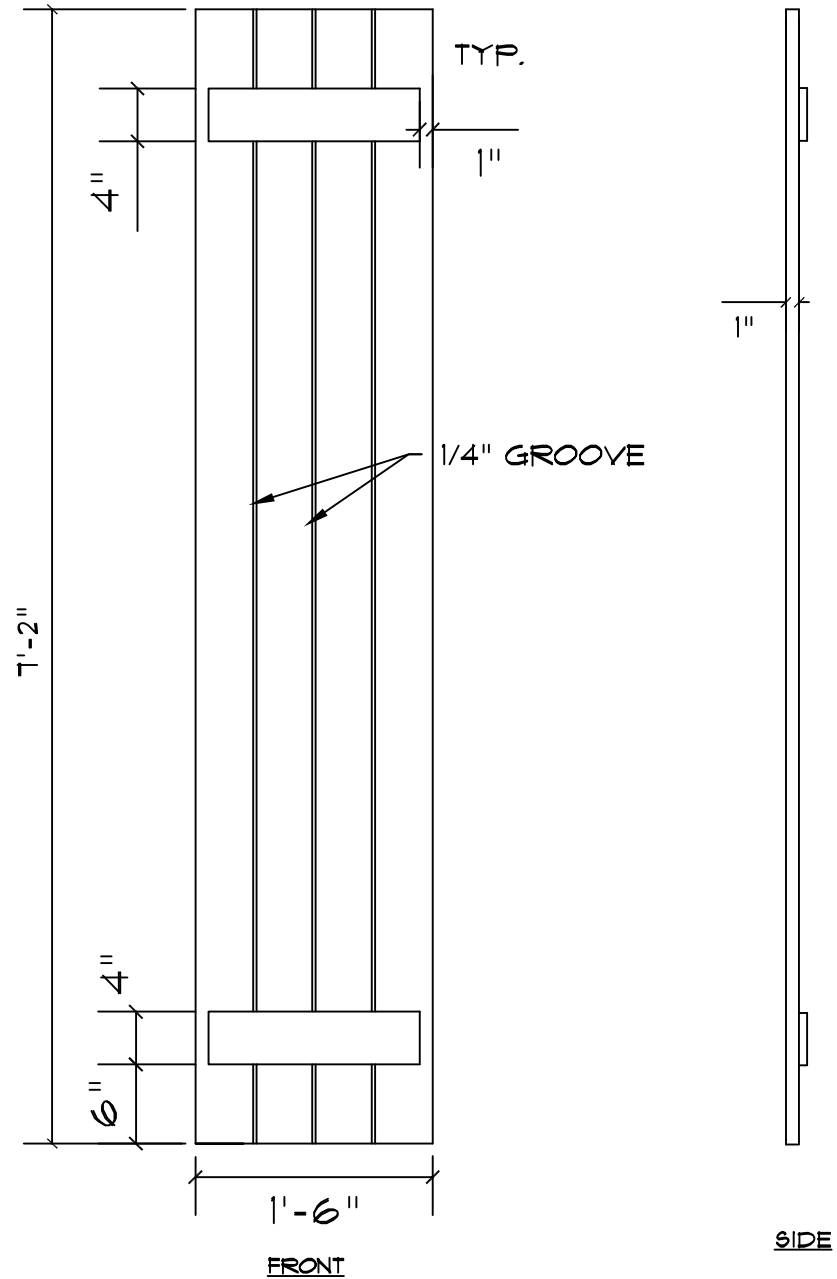


RS4PG1882



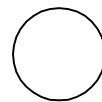
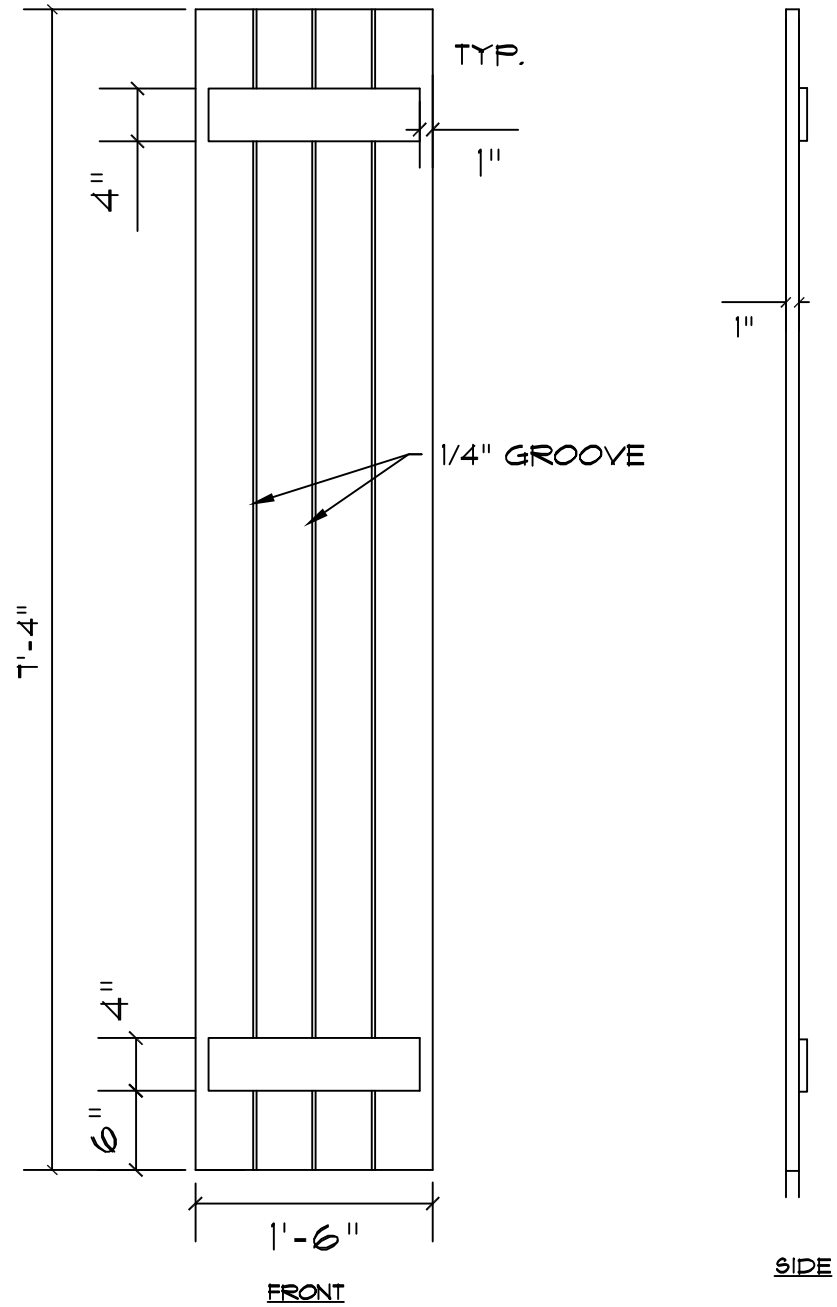
RS4PG1884





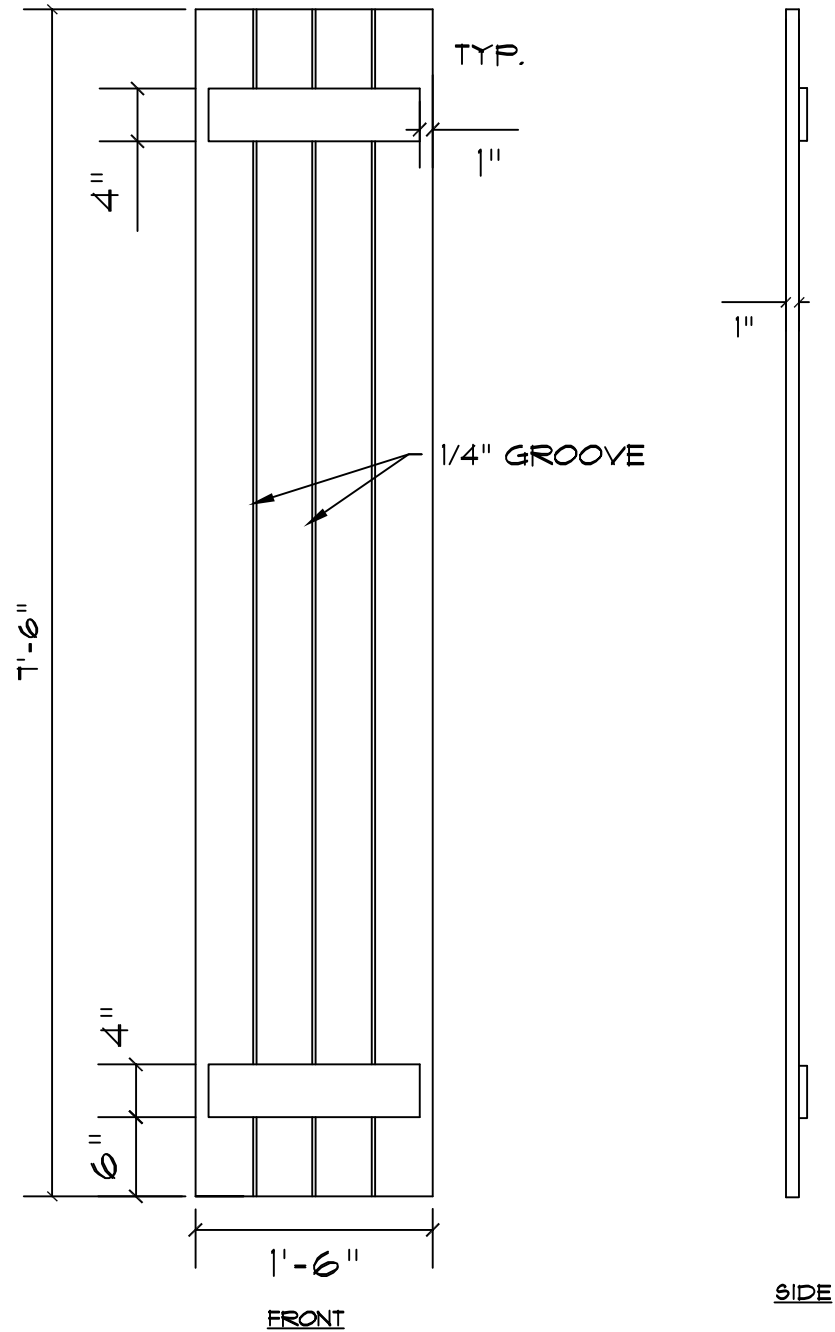
RS4PG1886

3/4" = 1'-0"

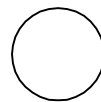


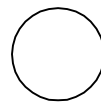
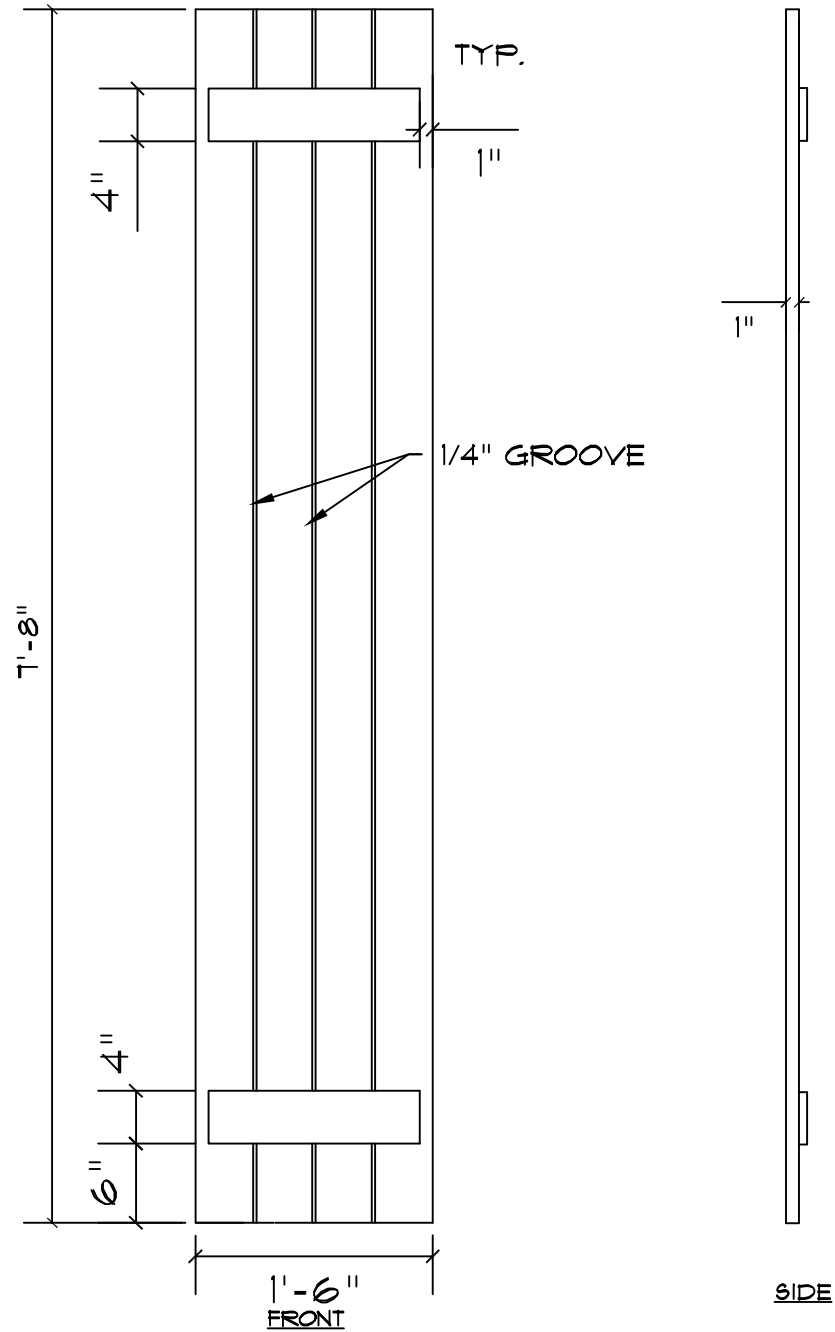
RS4PG1888

3/4" = 1'-0"



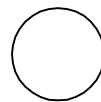
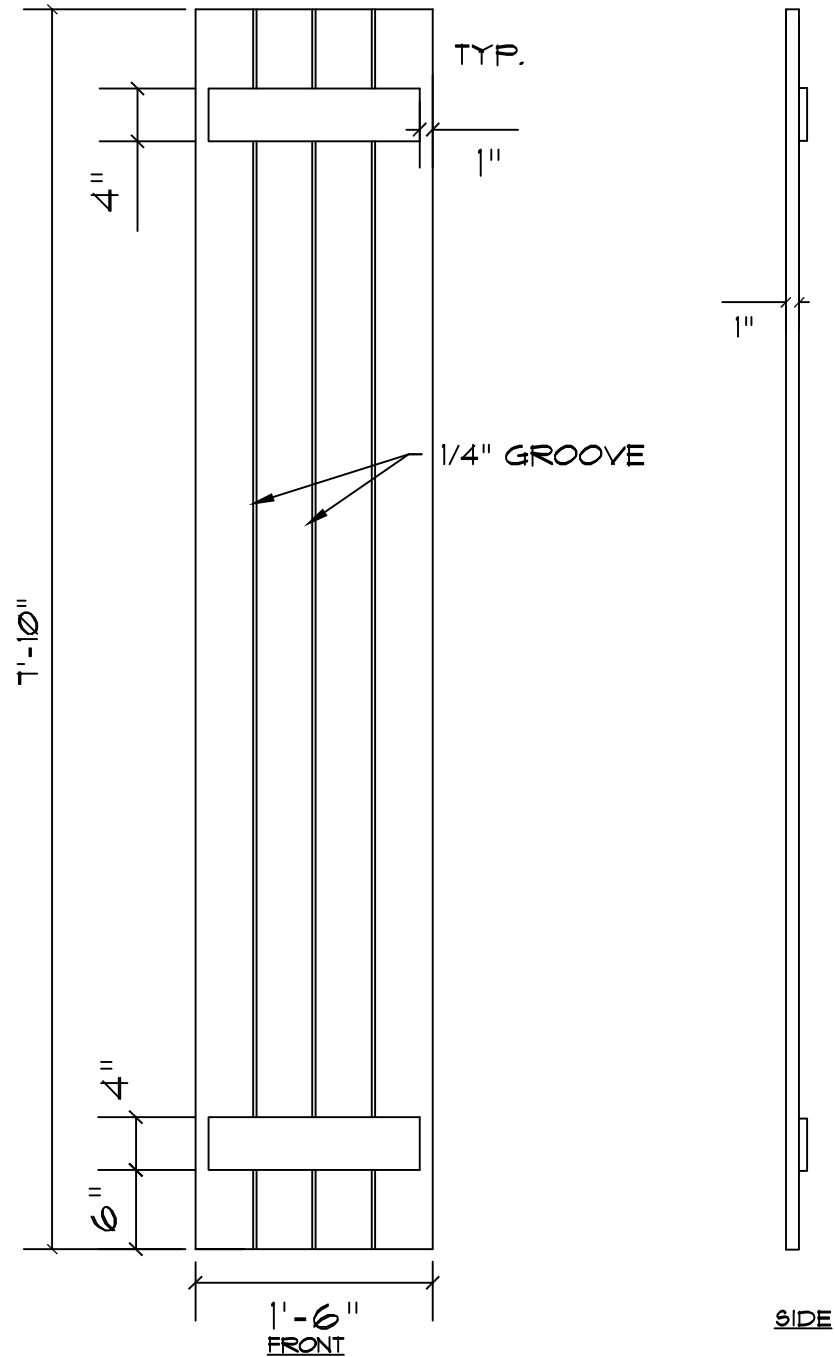
RS4PG1890





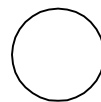
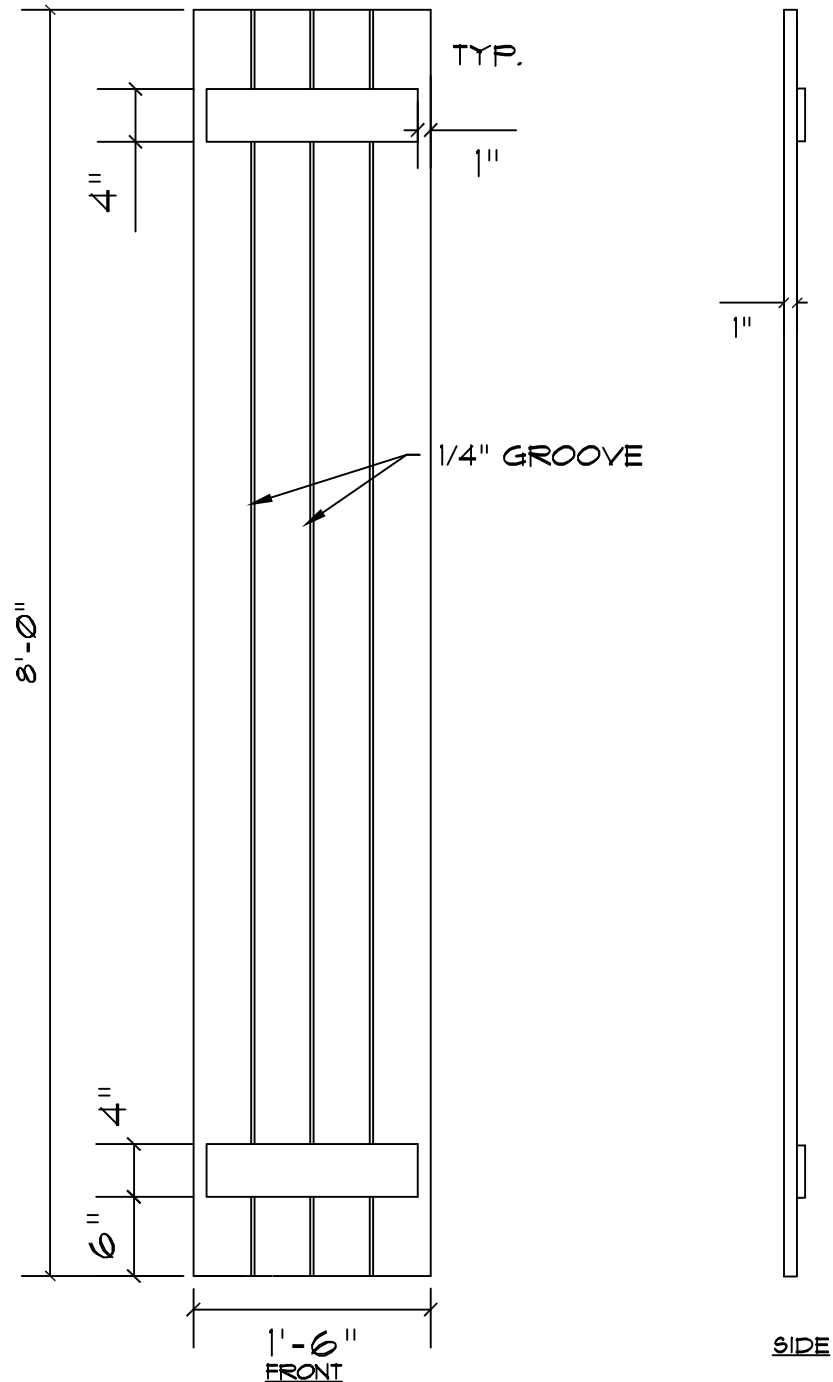
RS4PG1892

3/4" = 1'-0"



RS4PG1894

3/4" = 1'-0"



RS4PG1896

3/4" = 1'-0"